

TRIPOD

base | user guide



UIMAGE



WITH LOVE FROM COPENHAGEN

At UIMAGE, our designers take inspiration from the distinct nature of the Nordic landscape to create unique designs related to the way we live in an urban setting. Influenced by the design language, colours and materials found around us in Scandinavia, we create a collection that is rooted in our home but designed for everyone.

Versatile, flexible and multifunctional, our designs are created to enhance an urban lifestyle in smaller spaces!

ENGLISH

If the external flexible cable or cord of this luminaire is damaged, it shall be exclusively replaced by the manufacturer or his service agent or a similar qualified person in order to avoid a hazard.

DEUTSCH

Falls das äußere biegsame Kabel oder das Anschlusskabel dieser Beleuchtung beschädigt wird, darf es nur vom Hersteller, dessen Servicevertreter oder einer anderen qualifizierten Kraft ausgetauscht werden, um eventuelle Risiken auszuschließen.

FRANÇAIS

Si le câble électrique de ce luminaire est endommagé, il peut être remplacé. Pour éviter tout danger, le remplacement doit impérativement être effectué par le fabricant, un représentant de celui-ci ou un réparateur agréé.

NEDERLANDS

Als het snoer of de buitenste flexibele kabel van deze verlichting beschadigd is, mag deze uitsluitend door de fabrikant, diens service-agent of een andere vakman vervangen worden. Dit om eventuele risico's te vermijden.

DANSK

Hvis det ydre, bøjelige kabel eller ledningen til lampen beskadiges, må den kun udskiftes af producenten, dennes serviceagent eller en anden kvalificeret person for at undgå farlige situationer.

ÍSLENSKA

Ef ytri sveigjanlega snúran í þessu ljósi er skemmd þarf að leita til framleiðandans, þjónustuaðila eða annars fagaðila til að skipta henni út fyrir nýja svo að hægt sé að fyrirbyggja að hætta skapist.

NORSK

Om kabelen eller ledningen til denne belysningen blir skadet, får den kun byttes ut av leverandøren, dennes serviceagent eller en annen kvalifisert fagmann for å unngå eventuell fare.

SUOMI

Jos valaisimen uloin, taipuisa kaapeli tai johto vioittuu, turvallisuussystä sen saa vaihtaa vain valmistaja tai valtuutettu huoltoliike.

SVENSKA

Om den yttre böjliga kabeln eller sladden till denna belysning skadas, får den endast bytas ut av tillverkaren eller dennes serviceagent eller annan behörig person, för att undvika eventuella risker.

ČESKY

Je-li vnější přívodní kabel svítidla poškozen, musí být vyměněn pouze výrobcem, autorizovaným servisem

nebo jiným kvalifikovaným odborníkem, aby nedošlo k ohrožení zdraví.

ESPAÑOL

Si se dañase el cable exterior flexible de esta lámpara, para evitar riesgos deberá ser sustituido exclusivamente por el fabricante, su representante o un electricista cualificado.

ITALIANO

Se il cavo flessibile esterno o filo elettrico di questa illuminazione è danneggiato, può essere sostituito esclusivamente dal produttore, da un centro di assistenza autorizzato o da un elettricista qualificato, per evitare rischi.

MAGYAR

Ha a külső rugalmas vezeték vagy kábel megsérül, biztonsági okoból csak szakember vagy a szerviz munkatársai végezhetik el a cserét.

POLSKI

Jeżeli zewnętrzny przewód lampy ulegnie uszkodzeniu, w celu uniknięcia zagrożeń jego wymiany może dokonać jedynie producent, jego przedstawiciel serwisowy lub inna wykwalifikowana osoba.

EESTI

Kui selle valgusti väline kaabel või juhe on kahjustatud, vahetab selle erilise juhtme vastu ainult tootja või tema esindaja, selleks, et vältida ohtlikke olukordi.

LATVIEŠU

Lai izvairītos no riska, šīs lampas vadu/ kabeļu bojājumus drīkst novērst tikai ražotājs, servisa pārstāvis vai cita kvalificēta persona.

LIETUVIŲ

Jei lankstus kabelis ar laidas pažeistas, jį turi pakeisti gamintojas,

jo techninio aptarnavimo atstovas ar kvalifikuotas specialistas.

PORTUGUÊS

Se o cabo exterior flexível deste candeeiro se danificar, deverá ser substituído exclusivamente pelo fabricante ou seu representante ou por uma pessoa qualificada, para evitar acidentes.

ROMÂNĂ

Dacă cablul electric al acestui corp de iluminat este deteriorat, va fi înlocuit numai de către producător sau de agentul de servicii al acestuia, sau de către o altă persoană specializată, pentru a evita accidentările.

SLOVENSKY

V prípade, ak sa vonkajší zdrojový kábel svietidla poškodí, je nutné, aby ho vymenil výrobca alebo jeho servisný zástupca, prípadne

kvalifikovaný elektrikár tak, aby nedošlo k ohrozeniu zdravia.

БЪЛГАРСКИ

Ако външният подвижен кабел на лампата бъде повреден, той трябва да бъде подменен единствено от производителя, негов представител или друго квалифицирано лице, за да се избегнат рискове.

HRVATSKI

Ako je strujni kabel oštećen, mora ga zamijeniti isključivo proizvođač ili njegov ovlaštenu serviser ili slična kvalificirana osoba kako bi se izbjegla opasnost.

ΕΛΛΗΝΙΚΑ

Εάν το εξωτερικό ευέλικτο καλώδιο αυτού του φωτιστικού φθαρεί, για την αποφυγή ατυχήματος, θα πρέπει να αντικατασταθεί μόνο από τον κατασκευαστή ή το

εξουσιοδοτημένο σέρβις του ή από ένα άλλο ειδικευμένο άτομο.

SRPSKI

Ako je spoljni savitljivi kabl ili vod ove lampe oštećen, u cilju izbegavanja rizika, treba da ga zameni isključivo proizvođač, ovlašćeni serviser ili stručna osoba.

РУССКИЙ

Если наружный гибкий удлинитель или шнур этого светильника поврежден, то во избежание несчастного случая его должен заменить либо сам производитель, либо представитель сервисной службы производителя, либо человек соответствующей квалификации.

SLOVENŠČINA

Če je zunanji kabel ali žica svetila poškodovan/a, naj zamenjavo opravi proizvajalec, njegov

pooblašćeni serviser ali podobno usposobljena oseba. S tem se izognete nepotrebnim tveganjem.

TÜRKÇE

Bu aydınlatmanın harici esnek kablo veya kordonu zarar görürse, tehlikeden kaçınmak için üretici firma veya üretici firma yetkili servisi veya benzeri bir kişi tarafından değiştirilecektir.

BAHASA INDONESIA

Jika bagian luar kabel fleksibel atau kabel sambungan untuk penerangan ini rusak, maka harus digantikan oleh pabrik pembuat atau agen pelayanannya atau orang yang berkualifikasi agar terhindari dari bahaya.

BAHASA MALAYSIA

Jika kabel atau kord fleksibel luaran bagi lampu ini telah rosak, ia patut diganti secara eksklusif oleh

pengeluar atau ejen perkhidmatannya atau individu yang berkelayakan agar bahaya dapat dielakkan.

한국어

본 조명기구의 가요성 외부 케이블이나 코드가 손상되었을 경우 위험한 사고를 방지하기 위해 반드시 제조사, 지정 서비스 업체, 또는 전문가에 의해 교체되어야 합니다.

日本語

この照明器具の外部ケーブルやコードが破損した場合は、修理に伴う事故を避けるため、必ず製造元のメーカーや代理店、電気工事店などに部品交換を依頼してください。

中文

如果这种照明装置的外部软电缆或电线受到损坏，必须由制造商、其代理商或具有相近资质的人员进行更换，防止发生伤害事故。

繁中

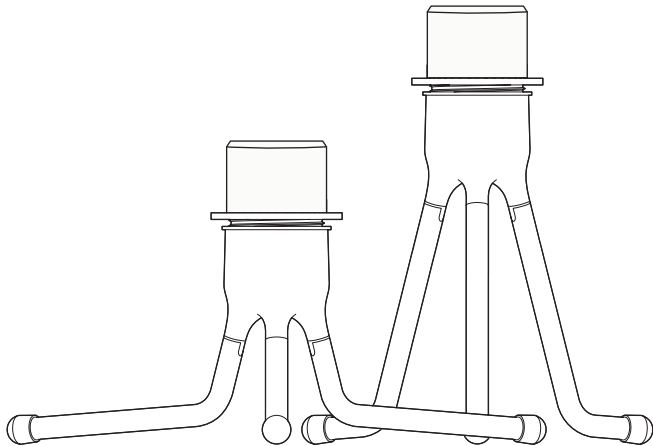
如果燈具的外部電線受損, 應由製造商, 服務人員或相關的專業人員替換, 以避免發生危險.



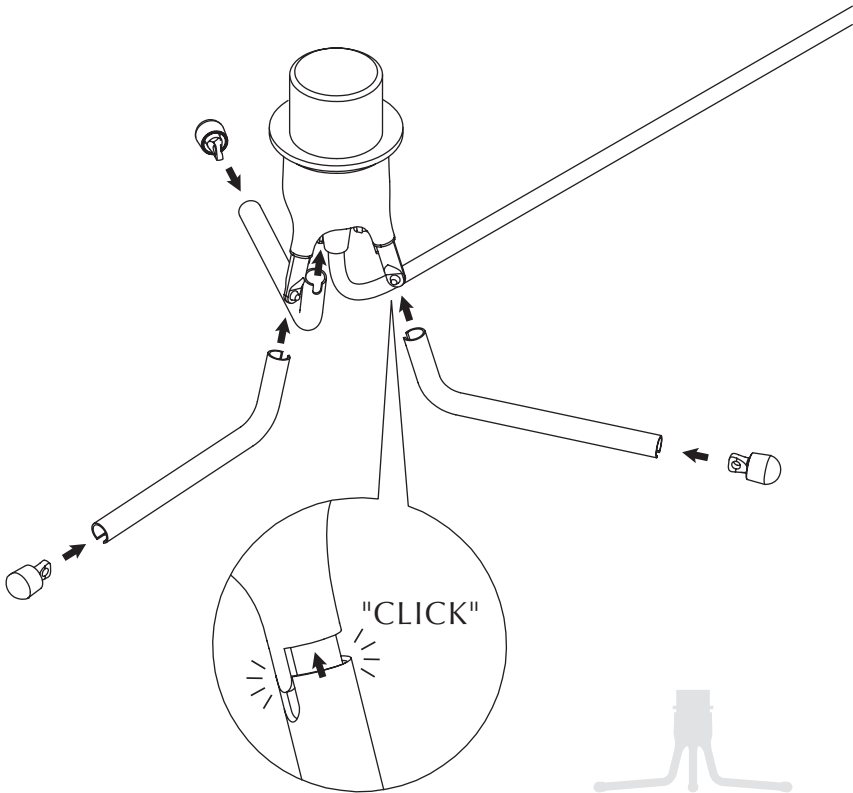
DESIGNED BY
SØREN RAVN CHRISTENSEN

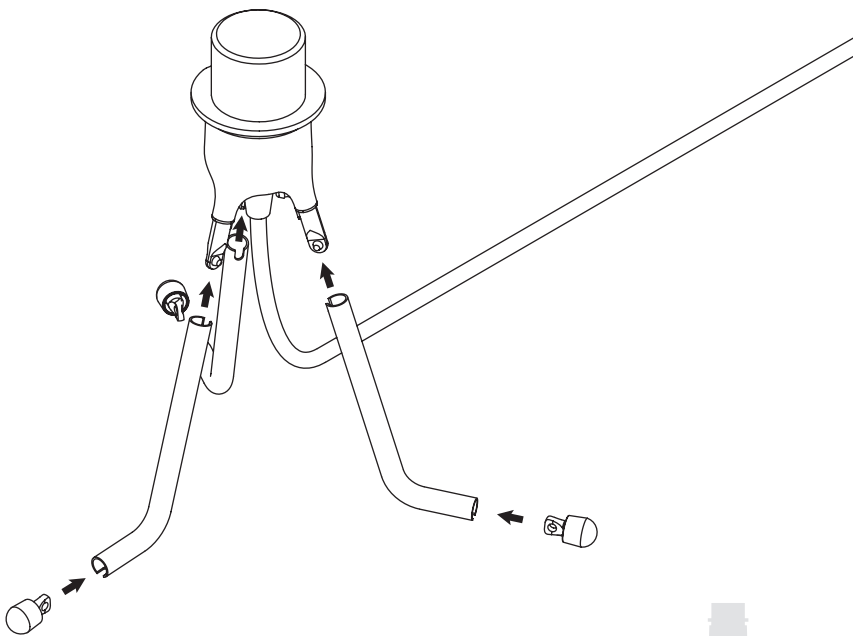
“ Just where you need
to create that tranquil
flickering candlelight
atmosphere. ”

ASSEMBLY GUIDE



Find assembly videos by using the QR code or by
going online at our website
umage.com/instructions





EOS mini | light blue
TRIPOD table | white



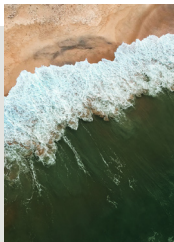
AUDACIOUS CABINET
oak | dusty rose



SUSTAINABLE SUSTAINABILITY EFFORTS

We are dedicated being sensible frontrunners on the environmental responsibility. If we provide timeless and functional quality designs that last, we know nature will prevail, as will UIMAGE.

*"SAVING THE SCENT OF THE FOREST
AFTER AN EARLY MORNING RAIN"*



GIVING BACK TO NATURE

In collaboration with the NGO One Tree Planted, we are planting a tree every time one of our designs made from wood are being sold.

MULTIFUNCTION AND FLEXIBILITY

One of the key aspects of the designs at UIMAGE is multiple functions and flexibility. Designing with more than one function in mind is a sustainable mindset as it reduces the number of products you need to buy to get a complete setting for your space.



REUSABLE PACKAGING

To minimize packaging waste, most of the packaging from our lighting collection is repurposed to be used as beautiful storage boxes afterwards. Learn more on the next page...

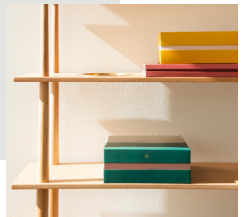


REUSABLE PACKAGING

With your new lamp, you have also received a free decorative storage box for the shelf.

THIS IS HOW IT WORKS

When your new lamp is out of the box you can keep the box and reuse it as a storage box for your small bits and bobs and place it on the shelf or on the top of your closet - repurposing the packaging for you and the environment.



So not only are UIMAGE's designs flat-packed to optimize the global logistics and the environmental footprint, but it ensures that you don't need to throw away tons of packaging material, that can just as well be reused for something new.

Read more about our many sustainability efforts:
umage.com/sustainability



Please follow the marked icons on the packaging materials for correct disposal of the remaining packaging materials:



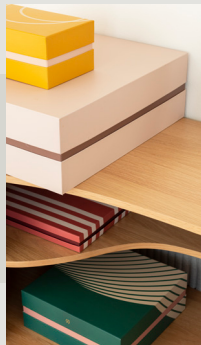
CARDBOARD



PAPER



Recycle your waste correctly
by searching for these icons on
the packaging



FOLLOW US ON SOCIAL MEDIA



@umagedesign | #umagedesign | umage.com



UMAGE



220523