

**BEGA****84 073**

Garden luminaire



Project · Reference number

Date

## Product data sheet

### Application

Luminaire for shielded lighting of paths stairs and gardens.  
The hand-blown opal glass distributes the light with high uniformity.

### Product description

Luminaire made of aluminium alloy, aluminium and stainless steel  
BEGA Unidure® coating technology  
Colour graphite or bronze  
Opal glass  
Silicone gasket  
Luminaire with mounting plate for bolting onto a foundation or an anchorage unit  
Mounting plate with two pitch circles:  
ø 70 mm, 3 elongated holes 7 mm wide  
ø 100 mm, 3 elongated holes 9 mm wide  
Luminaire can be aligned on the mounting plate around 360°  
Mounting bracket with connection box for through-wiring of up to 3 x 2,5 mm<sup>2</sup>  
Lampholder E 27  
Safety class I  
Protection class IP 64  
Dust-tight and protection against splash water  
Impact strength IK06  
Protection against mechanical impacts < 1 joule  
 – Safety mark  
**CE** – Conformity mark  
Weight: 4.6 kg

### Lamp

Luminaire with screw base E 27  
Lamp output max. 60 W  
This product contains light source of energy efficiency class C

Supplied lamp

BEGA LED lamp **13584**  
LED Retrofit 4.8 W · 805 lm · 3000 K

Luminaire efficiency: 32%

Additional BEGA LED lamps are available for this luminaire:

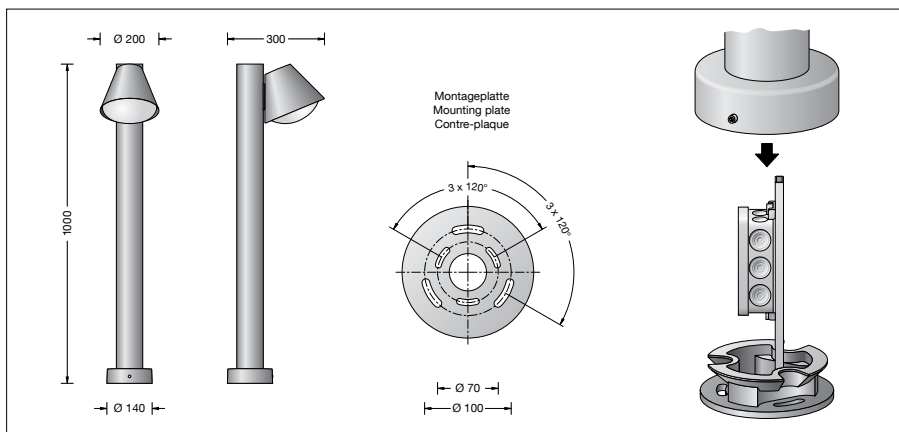
**13586** LED 4.8 W · 805 lm · 3000 K  
dimmable

**13588** LED 8 W · 1055 lm · 3000 K

**13590** LED 9 W · 1520 lm · 3000 K

**13592** LED 9 W · 1520 lm · 3000 K  
dimmable

Detailed technical and lighting data for the lamps can be found in the data sheets on our website.



### Lighting technology

Luminaire data for the DIALux lighting design program for outdoor lighting, street lighting and indoor lighting, as well as luminaire data in EULUMDAT and IES format are available on the BEGA website at [www.bega.com](http://www.bega.com).

### Accessory

**70895** Anchorage unit with mounting flange made of hot-dip galvanised steel. Total length 400 mm. 3 stainless steel fixing screws M8. Pitch circle ø 100 mm.

See the separate instructions for use.

### Article No. 84073

Colour graphite or bronze  
graphite – article number  
bronze – article number + **B**