

BEGA**84 072**

Garden luminaire



Project · Reference number

Date

Product data sheet

Application

Garden luminaire with directed light.
A luminaire made of copper and hand-blown opal glass.
For an effective illumination of paths, stairs and seats in the garden.

Product description

Luminaire made of copper and stainless steel
Baseplate made of cast bronze
Opal glass with screw neck
Luminaire with mounting plate for bolting onto a foundation or an anchorage unit
Mounting plate with 3 fixing holes
ø 8.5 mm · Pitch circle ø 100 mm
Mounting bracket with connection box and 3-pole terminal 4[□] for connection of mains supply cable max. 3 × 2.5[□]
Lampholder E 27
Safety class I
Protection class IP 44
Protected against granular foreign bodies ≥ 1 mm and splash water
Impact strength IK03
Protection against mechanical impacts < 0.35 joule
 – Safety mark
CE – Conformity mark
Weight: 7.0 kg

Copper

The luminaire parts made of solid copper are delivered with the metal's natural surface colour. Time and weather factors create the natural patina characteristic for copper.

Bronze

The luminaire is made of massive cast bronze and delivered with the metal's natural surface. Time and weather factors create the natural patina characteristic for bronze.

Lamp

Luminaire with screw base E 27
Lamp output max. 60 W
This product contains light sources of energy efficiency classes E, F

Supplied lamp

BEGA LED lamp **13584**
LED Retrofit 7 W · 805 lm · 3000 K

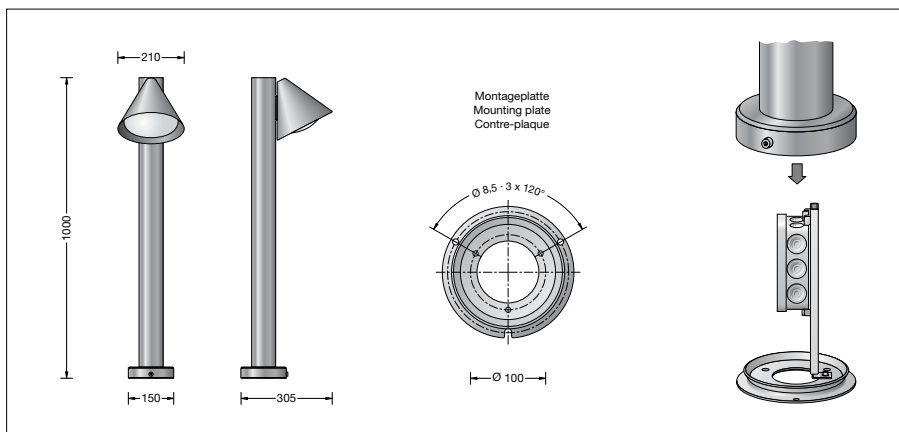
Luminaire efficiency: 31%

Additional BEGA LED lamps are available for this luminaire:

13586 LED 7 W · 805 lm · 3000 K
dimmable

13588 LED 8 W · 1055 lm · 3000 K

Detailed technical and lighting data for the lamps can be found in the data sheets on our website.



Accessory

70895 Anchorage unit with mounting flange made of hot-dip galvanised steel. Total length 400 mm. 3 stainless steel fixing screws M8. Pitch circle ø 100 mm.

See the separate instructions for use.