

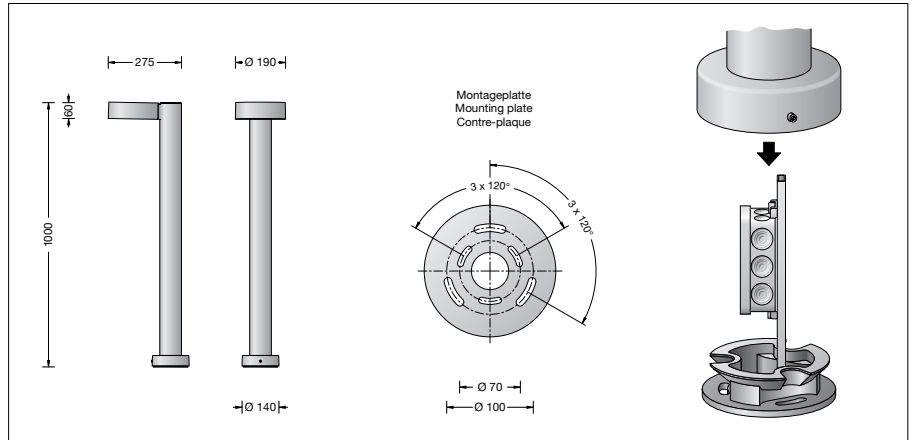
BEGA**77 221**

Garden luminaire



Project · Reference number

Date

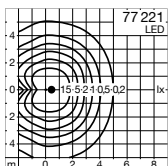


Product data sheet

Product description

Luminaire made of aluminium alloy, aluminium and stainless steel
 BEGA Unidure® coating technology
 Colour graphite or silver
 Clear impact resistant synthetic diffuser with optical structure
 Silicone gasket
 Luminaire with mounting plate for bolting onto a foundation or an anchorage unit
 Mounting plate with two pitch circles:
 ø 70mm, 3 elongated holes 7 mm wide
 ø 100mm, 3 elongated holes 9 mm wide
 Luminaire can be aligned on the mounting plate around 360°
 Mounting bracket with connection box for through-wiring of up to 5x2,5²
 BEGA Ultimate Driver®
 Complies with flicker requirements in accordance with IEEE 1789,
 DIN IEC/TR 63158, DIN IEC/TR 61547-1
 LED power supply unit
 220-240 V ~ 0/50-60 Hz
 DC 176-280 V
 DALI-controllable
 Number of DALI addresses: 1
 Basic insulation is provided between the mains and control cables
 BEGA Thermal Control®
 Temporary thermal regulation to protect temperature-sensitive components without switching off the luminaire
 Safety class I
 Protection class IP 65
 Dust-tight and protection against water jets
 Impact strength IK08
 Protection against mechanical impacts < 5 joule
 – Safety mark
 – Conformity mark
 Weight: 4.6 kg
 This product contains light sources of energy efficiency class(es) C

Light distribution



Application

Garden and path luminaire with shielded, flat beam light directed downwards.
 The flat beam, wide beam light distribution is particularly suitable for illuminating paths and entrance areas.

Lamp

Module connected wattage	7.4 W
Luminaire connected wattage	9.4 W
Rated temperature	$t_a = 25 \text{ }^\circ\text{C}$
Ambient temperature	$t_{a, \text{max}} = 50 \text{ }^\circ\text{C}$

77 221 K3

Module designation	2x LED-1329/830
Colour temperature	3000 K
Colour rendering index	CRI > 80
Module luminous flux	1530 lm
Luminaire luminous flux	756 lm
Luminaire luminous efficiency	80,4 lm/W

77 221 K4

Module designation	2x LED-1329/840
Colour temperature	4000 K
Colour rendering index	CRI > 80
Module luminous flux	1550 lm
Luminaire luminous flux	766 lm
Luminaire luminous efficiency	81,5 lm/W

Service life · Ambient temperature

Rated temperature $t_a = 25 \text{ }^\circ\text{C}$	
LED psu:	> 50,000h
LED module:	> 200,000h (L80B50) > 100,000h (L90B50)
Ambient temperature max. $t_a = 50 \text{ }^\circ\text{C}$ (100 %)	
LED psu:	50,000h
LED module:	135,000h (L80B50)

Lighting technology

Luminaire data for the DIALux lighting design program for outdoor lighting, street lighting and indoor lighting, as well as luminaire data in EULUMDAT and IES format are available on the BEGA website at www.bega.com.

Dark Sky

The light from this luminaire is directed evenly and highly efficiently onto the surface to be illuminated. Less than 1 % of the luminaire luminous flux is emitted into the upper half-space of the luminaire.

Inrush current

Inrush current:	3.6 A / 29 μs
Maximum number of luminaires of this type per miniature circuit breaker:	
B 10A:	851 luminaires
B 16A:	1380 luminaires
C 10A:	851 luminaires
C 16A:	1380 luminaires

Ratio of luminous flux

Luminous flux upper half-space	0 %
Luminous flux lower half-space	100 %

BUG rating according to IES TM-15-07:
 0–0*–0

CEN Flux Code according to EN 13032-2:
 48–80–97–100–100

* The measured value above 90° including stray light (reflection on the luminaire housing) is U1. However, the luminaire does not emit direct light upwards - due to the upper luminous flux component (less than 0.5%), the value U0 is assigned. Further information on request.

Accessory

70 895 Anchorage unit with mounting flange made of hot-dip galvanised steel. Total length 400 mm. 3 stainless steel fixing screws M8. Pitch circle ø 100 mm.

See the separate instructions for use.

Article No. 77 221

LED colour temperature optionally 3000 K or 4000 K

3000 K – Article number + **K3**
 4000 K – Article number + **K4**

Colour graphite or silver
 graphite – article number
 silver – article number + **A**