

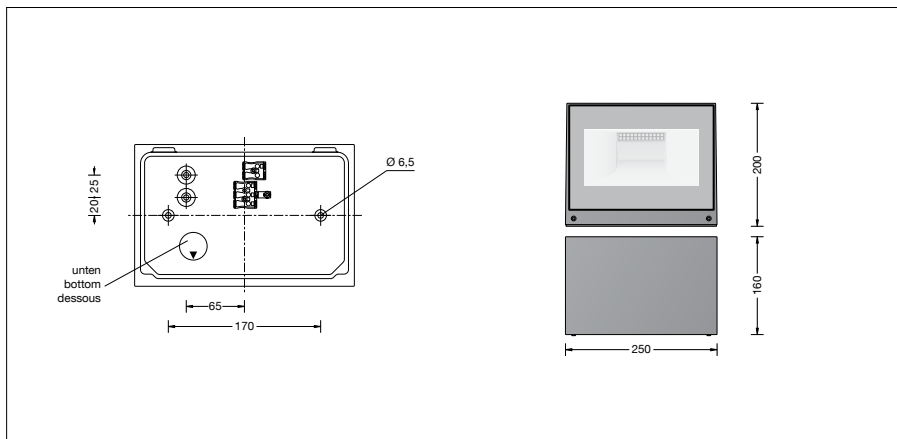
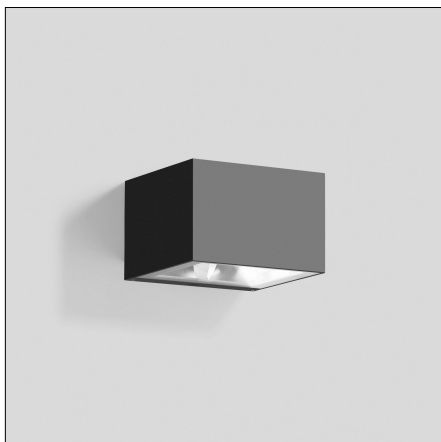
BEGA**33 395**

Wall washer



Project · Reference number

Date



Product data sheet

Product description

Luminaire made of aluminium alloy, aluminium and stainless steel
 BEGA Unidure® coating technology
 Colour graphite, silver or white
 Clear safety glass
 Silicone gasket
 Reflector made of pure anodised aluminium
 2 mounting holes \varnothing 6.5 mm
 Distance apart 170 mm
 2 cable entries for through-wiring of mains supply cable \varnothing 7-10.5 mm, max. 5 G 1.5[□]
 Connecting terminal and earth conductor terminal 2.5[□]
 BEGA Ultimate Driver®
 2 LED power supply units
 220-240 V \sim 0/50-60 Hz
 DC 176-276 V
 DALI controllable
 Number of DALI addresses: 2
 A basic isolation exists between power cable and control line
 BEGA Thermal Control®
 Temporary thermal regulation to protect temperature-sensitive components without switching off the luminaire
 Safety class I
 Protection class IP 65
 Dust-tight and protection against water jets
 Impact strength IK06
 Protection against mechanical impacts < 1 joule
 – Safety mark
 – Conformity mark
 Weight: 4.8 kg
 This product contains light sources of energy efficiency class(es) D

Application

Wall washer with two-sided light output and symmetrical light distribution for the illumination of façades and wall surfaces with the mounting surface being the reflection surface.
 The luminaire can be installed in any burning position.

The colour temperature of the luminaire can be set optionally to 3000 K and 4000 K.

Lamp

Module connected wattage	32.6 W
Luminaire connected wattage	38 W
Module designation	2x LED-1474/83040
Colour rendering index	CRI > 80
Rated temperature	$t_a = 25$ °C
Ambient temperature	$t_{a \max} = 50$ °C

Operation at colour temperature	3000 K
Module luminous flux	5580 lm
Luminaire luminous flux	5116 lm
Luminaire luminous efficiency	134,6 lm/W

Operation at colour temperature	4000 K
Module luminous flux	5860 lm
Luminaire luminous flux	5372 lm
Luminaire luminous efficiency	141,4 lm/W

Service life · Ambient temperature

Rated temperature $t_a = 25$ °C	
LED psu:	> 50,000h
LED module:	180,000h (L80B50)
Ambient temperature max. $t_a = 50$ °C (100 %)	
LED psu:	50,000h
LED module:	140,000h (L80B50)

Lighting technology

Luminaire data for the DIALux lighting design program for outdoor lighting, street lighting and indoor lighting, as well as luminaire data in EULUMDAT and IES format are available on the BEGA website at www.bega.com.

Inrush current

Inrush current: 2.1 A / 46 μ s
 Maximum number of luminaires of this type per miniature circuit breaker:
 B 10A: 25 luminaires
 B 16A: 40 luminaires
 C 10A: 25 luminaires
 C 16A: 40 luminaires

BEGA Constant Optics®

BEGA Constant Optics® is an efficient optical system that is virtually impervious to wear and tear. The durable materials used, including glass, pure aluminium and silicone, show no effects of ageing, even under extreme conditions like high temperatures and UV radiation.

Ratio of luminous flux

Luminous flux upper half-space	50 %
Luminous flux lower half-space	50 %

BUG rating according to IES TM-15-07:
 1-5-0

CEN Flux Code according to EN 13032-2:
 59-88-100-50-100-59-88-100-50

Article No. 33395

Colour optionally graphite, white or silver
 Graphite – Article number
 White – Article number + **W**
 Silver – Article number + **A**

Light distribution

