

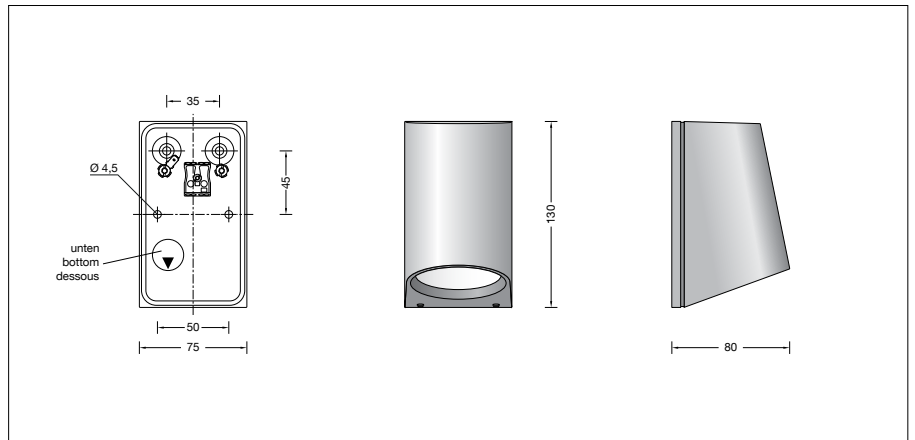
**BEGA****24 501**

Wall luminaire



Project · Reference number

Date



## Product data sheet

**Product description**

Luminaire made of aluminium alloy, aluminium and stainless steel  
 BEGA Unidure® coating technology  
 Colour graphite or silver  
 Clear safety glass  
 Silicone gasket  
 Reflector made of pure anodised aluminium  
 2 mounting holes  $\varnothing$  4.5 mm  
 Distance apart 50 mm  
 2 cable entries for through-wiring of mains supply cable  $\varnothing$  7-10.5 mm  
 Connection terminal 2.5<sup>2</sup>  
 Earth conductor connection  
 BEGA Ultimate Driver®  
 LED power supply unit  
 220-240 V  $\sim$  0/50-60 Hz  
 DC 176-264 V  
 BEGA Thermal Switch®  
 Temporary thermal shutdown to protect temperature-sensitive components  
 Safety class I  
 Protection class IP 64  
 Dust-tight and protection against splash water  
 Impact strength IK07  
 Protection against mechanical impacts < 2 joule  
 – Safety mark  
 – Conformity mark  
 Weight: 0.4 kg  
 This product contains light sources of energy efficiency class(es) D, E

**Application**

Wall luminaire with directed light.

**Dark Sky**

The light of this luminaire is directed evenly and highly efficiently onto the surface to be illuminated. Less than 1 % of the luminaire luminous flux is emitted into the upper half-space of the luminaire.

**Lamp**

Module connected wattage	4 W
Luminaire connected wattage	5.1 W
Rated temperature	$t_a = 25\text{ }^\circ\text{C}$
Ambient temperature	$t_{a\text{max}} = 45\text{ }^\circ\text{C}$

On request we can offer you modifications for environments with higher temperatures as a customized product.

**24 501 K3**

Module designation	LED-0734/830
Colour temperature	3000 K
Colour rendering index	CRI > 80
Module luminous flux	580 lm
Luminaire luminous flux	342 lm
Luminaire luminous efficiency	67,1 lm/W

**24 501 K4**

Module designation	LED-0734/840
Colour temperature	4000 K
Colour rendering index	CRI > 80
Module luminous flux	620 lm
Luminaire luminous flux	366 lm
Luminaire luminous efficiency	71,8 lm/W

**Service life · Ambient temperature**

Rated temperature $t_a = 25\text{ }^\circ\text{C}$	
LED psu:	> 50,000 h
LED module:	> 200,000 h (L80B50) > 100,000 h (L90B50)

Ambient temperature max.  $t_a = 45\text{ }^\circ\text{C}$  (100 %)

LED psu:	50,000 h
LED module:	170,000 h (L80B50)

**Lighting technology**

Luminaire data for the DIALux lighting design program for outdoor lighting, street lighting and indoor lighting, as well as luminaire data in EULUMDAT and IES format are available on the BEGA website at [www.bega.com](http://www.bega.com).

**Inrush current**

Inrush current: 7.8 A / 112  $\mu\text{s}$   
 Maximum number of luminaires of this type per miniature circuit breaker:  
 B 10A: 38 luminaires  
 B 16A: 61 luminaires  
 C 10A: 64 luminaires  
 C 16A: 102 luminaires

**BEGA Constant Optics®**

BEGA Constant Optics® is an efficient optical system that is virtually impervious to wear and tear. The durable materials used, including glass, pure aluminium and silicone, show no effects of ageing, even under extreme conditions like high temperatures and UV radiation.

**Ratio of luminous flux**

Luminous flux upper half-space	0,2 %
Luminous flux lower half-space	99,8 %

BUG rating according to IES TM-15-07:  
 1 – 1 – 0

CEN Flux Code according to EN 13032-2:  
 88 – 100 – 100 – 100 – 100

**Article No. 24 501**

LED colour temperature optionally 3000K or 4000K

3000 K – Article number + **K3**  
 4000 K – Article number + **K4**

Colour graphite or silver  
 graphite – article number  
 silver – article number + **A**

**Light distribution**