

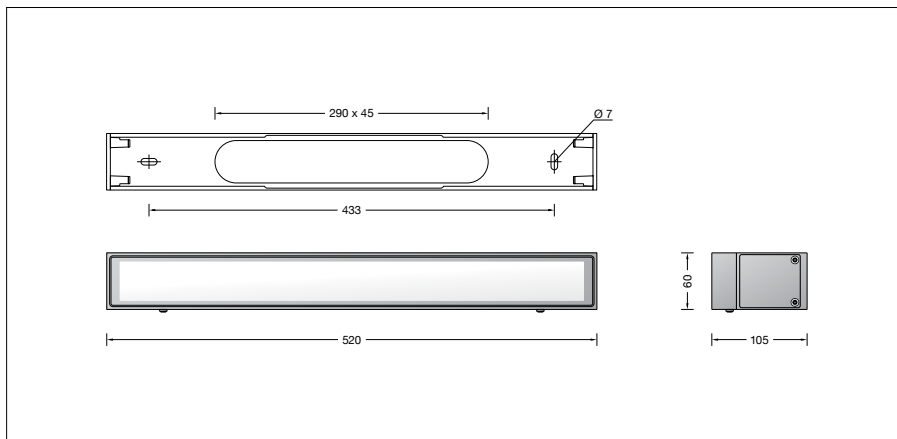
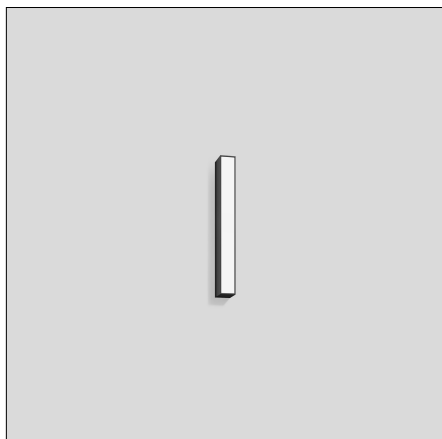
BEGA**24 318**

Ceiling and wall luminaire



Project · Reference number

Date



Product data sheet

Application

Ceiling and wall luminaire with free-radiating and uniform light distribution. By arraying single luminaires in line light bands of different length can be arranged. A luminaire for linear illumination in interior and exterior application.

Lamp

Module connected wattage	15.8 W
Luminaire connected wattage	18.3 W
Rated temperature	$t_a = 25\text{ °C}$
Ambient temperature	$t_{a\text{ max}} = 55\text{ °C}$

24 318 K3

Module designation	LED-0772/830
Colour temperature	3000 K
Colour rendering index	CRI > 80
Module luminous flux	2950 lm
Luminaire luminous flux	1059 lm
Luminaire luminous efficiency	57,9 lm/W

24 318 K4

Module designation	LED-0772/840
Colour temperature	4000 K
Colour rendering index	CRI > 80
Module luminous flux	3030 lm
Luminaire luminous flux	1088 lm
Luminaire luminous efficiency	59,5 lm/W

Service life · Ambient temperature

Rated temperature $t_a = 25\text{ °C}$	
LED psu:	> 50,000 h
LED module:	> 200,000 h (L.80 B50)
	100,000 h (L.90 B50)

Ambient temperature max. $t_a = 55\text{ °C}$ (100 %)

LED psu:	50,000 h
LED module:	> 200,000 h (L.80 B50)
	100,000 h (L.90 B50)

Product description

Luminaire made of aluminium alloy, aluminium and stainless steel
 BEGA Unidure® coating technology
 Colour graphite
 Safety glass, white
 Silicone gasket
 Mounting bar with 2 elongated holes
 7 mm width, 433 mm spacing
 2 screw cable glands with strain relief for through-wiring of the mains supply cable from $\varnothing 7,5\text{--}10,8\text{ mm}$, max. 5 G 1,5²
 1 screw cable gland closed at the factory with a dummy plug
 Connecting terminal 2.5² with plug connection
 Earth conductor connection
 LED power supply unit
 220-240 V \sim 0/50-60 Hz
 DC 176-276 V
 During DC operation the LED power is reduced to 15 %
 DALI-controllable
 Number of DALI addresses: 1
 Basic insulation is provided between the mains and control cables
 BEGA Thermal Control®
 Temporary thermal regulation to protect temperature-sensitive components without switching off the luminaire
 Safety class I
 ⚡ Ballproof according to DIN VDE 0710 part 13
 Protection class IP 65
 Dust-tight and protection against water jets
 Impact strength IK05
 Protection against mechanical impacts < 0.7 joule
 – Safety mark
 CE – Conformity mark
 Weight: 2.9 kg
 This product contains light sources of energy efficiency class(es) C

Inrush current

Inrush current: 18 A / 200 μs
 Maximum number of luminaires of this type per miniature circuit breaker:
 B 10A: 20 luminaires
 B 16A: 31 luminaires
 C 10A: 32 luminaires
 C 16A: 52 luminaires

Ratio of luminous flux

Luminous flux upper half-space	0 %
Luminous flux lower half-space	100 %

BUG rating according to IES TM-15-07:

1–0–0

CEN Flux Code according to EN 13032-2:
 48–79–96–100–100

Lighting technology

Luminaire data for the DIALux lighting design program for outdoor lighting, street lighting and indoor lighting, as well as luminaire data in EULUMDAT and IES format are available on the BEGA website at www.bega.com.

Article No. 24 318

LED colour temperature optionally 3000K or 4000K
 3000 K – Article number + **K3**
 4000 K – Article number + **K4**

Light distribution

