

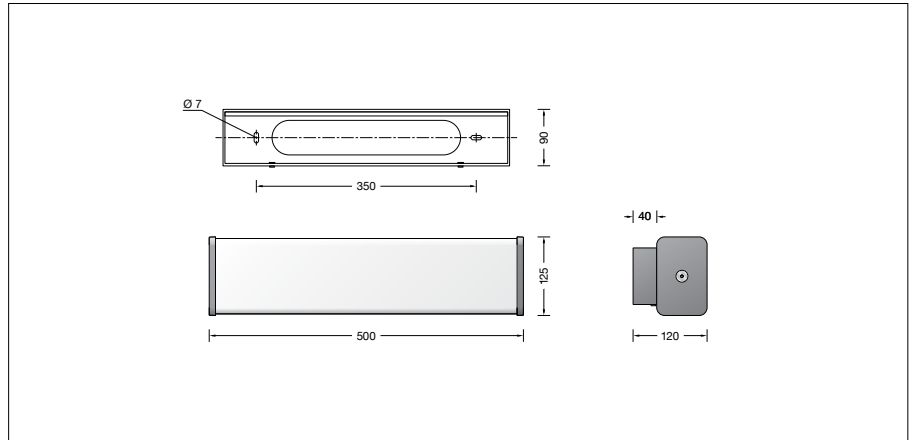
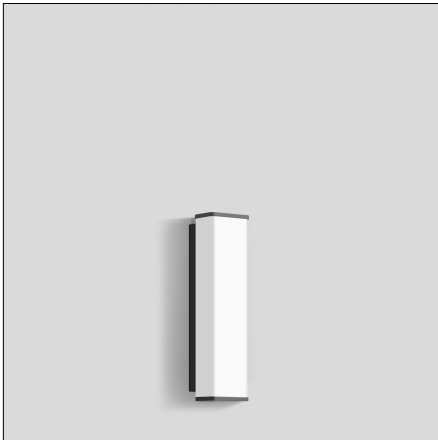
BEGA**24 115**

Ceiling and wall luminaire



Project · Reference number

Date



Product data sheet

Application

Unshielded ceiling and wall luminaire with high protection class.
For a variety of interior and exterior lighting applications.

Product description

Luminaire made of aluminium alloy, aluminium and stainless steel
BEGA Unidure® coating technology
White synthetic diffuser
Two elongated mounting holes
Width 7 mm · 350mm spacing
Connection box with 2 cable entries for through-wiring of the mains supply cable
ø 5-13 mm, max. 5×2,5[□]
Complies with flicker requirements in accordance with IEEE 1789, DIN IEC/TR 63158, DIN IEC/TR 61547-1
LED power supply unit
220-240 V ~ 0/50-60 Hz
DC 176-264 V
DALI-controllable
Number of DALI addresses: 1
Basic insulation is provided between the mains and control cables
BEGA Thermal Control®
Temporary thermal regulation to protect temperature-sensitive components without switching off the luminaire
Safety class I
Protection class IP 65
Dust-tight and protection against water jets
Impact strength IK06
Protection against mechanical impacts < 1 joule
 – Safety mark
 – Conformity mark
Weight: 3.4 kg
This product contains light sources of energy efficiency class(es) B

Lamp

Module connected wattage 11.1 W
Luminaire connected wattage 14.7 W
Rated temperature $t_a = 25\text{ °C}$
Ambient temperature $t_{a\text{ max}} = 40\text{ °C}$

On request we can offer you modifications for environments with higher temperatures as a customized product.

24 115 K3

Module designation
2x LED-0894/830 + LED-0900/830
Colour temperature 3000 K
Colour rendering index CRI > 80
Module luminous flux 2320 lm
Luminaire luminous flux 1847 lm
Luminaire luminous efficiency 125,6 lm/W

24 115 K4

Module designation
2x LED-0894/840 + LED-0900/840
Colour temperature 4000 K
Colour rendering index CRI > 80
Module luminous flux 2385 lm
Luminaire luminous flux 1899 lm
Luminaire luminous efficiency 129,2 lm/W

Service life · Ambient temperature

Rated temperature $t_a = 25\text{ °C}$
LED psu: > 50,000 h
LED module: > 200,000 h (L80 B50)
100,000 h (L90 B50)

Ambient temperature max. $t_a = 40\text{ °C}$ (100 %)

LED psu: 50,000 h
LED module: > 200,000 h (L80 B50)
100,000 h (L90 B50)

Lighting technology

Luminaire data for the DIALux lighting design program for outdoor lighting, street lighting and indoor lighting, as well as luminaire data in EULUMDAT and IES format are available on the BEGA website at www.bega.com.

Inrush current

Inrush current: 5 A / 50 μ s
Maximum number of luminaires of this type per miniature circuit breaker:
B 10 A: 31 luminaires
B 16 A: 50 luminaires
C 10 A: 52 luminaires
C 16 A: 85 luminaires

Ratio of luminous flux

Luminous flux upper half-space 26 %
Luminous flux lower half-space 74 %

BUG rating according to IES TM-15-07:
1-3-1
CEN Flux Code according to EN 13032-2:
36-65-86-74-100-16-40-69-26

Article No. 24 115

LED colour temperature optionally 3000 K or 4000 K
3000 K – Article number + **K3**
4000 K – Article number + **K4**

Light distribution