

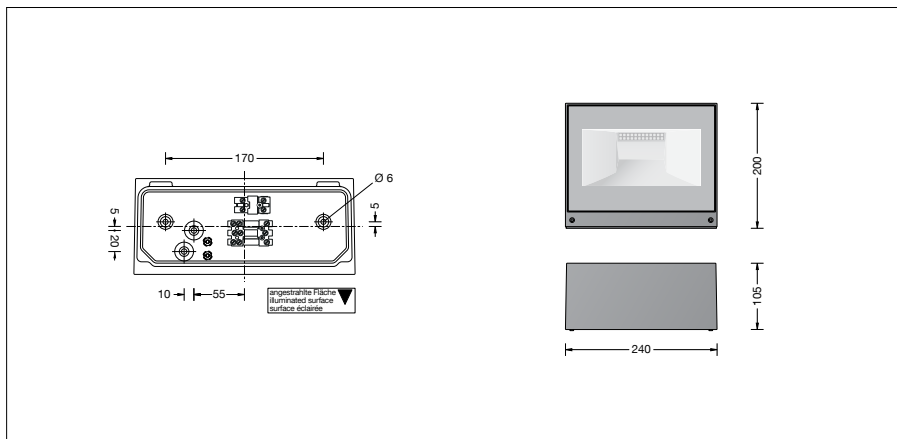
BEGA**22 392**

Wall washer



Project · Reference number

Date

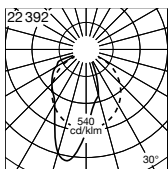


Product data sheet

Product description

Luminaire made of aluminium alloy, aluminium and stainless steel
 BEGA Unidure® coating technology
 Colour graphite, silver or white
 Clear safety glass
 Reflector made of pure anodised aluminium
 2 mounting holes \varnothing 5.5 mm
 Distance apart 170 mm
 2 cable entries for through-wiring of mains supply cable \varnothing 7-10.5 mm, max. 5 G 1.5²
 Connecting terminal 2.5² with plug connection
 Earth conductor connection
 BEGA Ultimate Driver®
 Complies with flicker requirements in accordance with IEEE 1789, DIN IEC/TR 63158, DIN IEC/TR 61547-1
 LED power supply unit
 220-240 V \sim 0/50-60 Hz
 DC 176-276 V
 DALI-controllable
 Number of DALI addresses: 1
 Basic insulation is provided between the mains and control cables
 BEGA Thermal Control®
 Temporary thermal regulation to protect temperature-sensitive components without switching off the luminaire
 Safety class I
 ⚡ Ballproof – The testing of ball impact safety was carried out exclusively with handballs in accordance with DIN 18032-3: 2018-11.
 Protection class IP 65
 Dust-tight and protection against water jets
 Impact strength IK06
 Protection against mechanical impacts < 1 joule
 ⚡ – Safety mark
 CE – Conformity mark
 Weight: 3.1 kg
 This product contains light sources of energy efficiency class(es) D

Light distribution



Application

Wall washer with symmetrical light distribution for the illumination of façades and wall surfaces with the mounting surface being the reflection surface. The luminaire can be installed with the light distribution opening upwards or downwards.

The colour temperature of the luminaire can be set optionally to 3000K and 4000K.

Lamp

Module connected wattage	16.3 W
Luminaire connected wattage	19.3 W
Module designation	LED-1474/83040
Colour rendering index	CRI > 80
Rated temperature	$t_a = 25$ °C
Ambient temperature	$t_{a \max} = 50$ °C

Operation at colour temperature	3000 K
Module luminous flux	2790 lm
Luminaire luminous flux	2521 lm
Luminaire luminous efficiency	130,6 lm/W

Operation at colour temperature	4000 K
Module luminous flux	2930 lm
Luminaire luminous flux	2647 lm
Luminaire luminous efficiency	137,2 lm/W

Service life · Ambient temperature

Rated temperature $t_a = 25$ °C	
LED psu:	> 50,000 h
LED module:	180,000 h (L 80 B50)

Ambient temperature max. $t_a = 50$ °C (100 %)	
LED psu:	50,000 h
LED module:	145,000 h (L 80 B50)

Dark Sky

For installation with light emission downwards, the light from this luminaire is directed evenly and highly efficiently onto the surface to be illuminated. No light is emitted at all into the upper half-space of the luminaire.

Lighting technology

Luminaire data for the DIALux lighting design program for outdoor lighting, street lighting and indoor lighting, as well as luminaire data in EULUMDAT and IES format are available on the BEGA website at www.bega.com.

Inrush current

Inrush current: 1.2 A / 46 μ s
 Maximum number of luminaires of this type per miniature circuit breaker:
 B 10A: 50 luminaires
 B 16A: 80 luminaires
 C 10A: 50 luminaires
 C 16A: 80 luminaires

Ratio of luminous flux

Luminous flux upper half-space	0 %
Luminous flux lower half-space	100 %

BUG rating according to IES TM-15-07:
 1-0-0

CEN Flux Code according to EN 13032-2:
 59-88-100-100-100

BEGA Constant Optics®

BEGA Constant Optics® is an efficient optical system that is virtually impervious to wear and tear. The durable materials used, including glass, pure aluminium and silicone, show no effects of ageing, even under extreme conditions like high temperatures and UV radiation.

Article No. 22 392

Colour optionally graphite, white or silver
 Graphite – Article number
 White – Article number + **W**
 Silver – Article number + **A**