

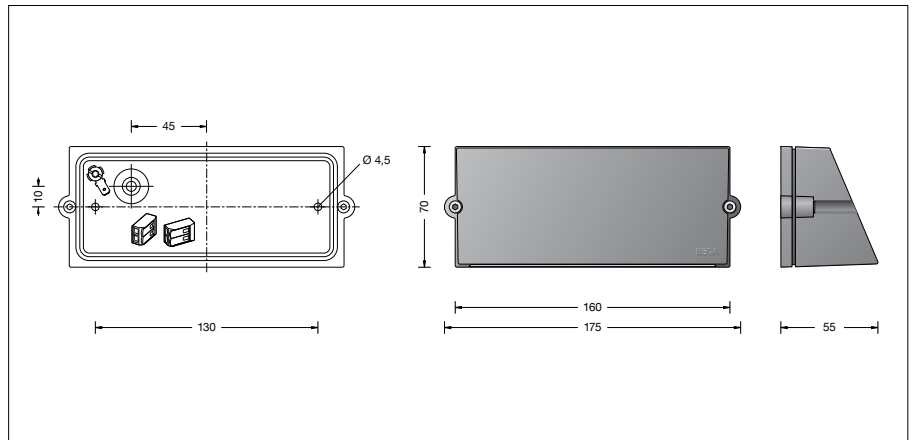
BEGA**22 280**

Wall luminaire



Project · Reference number

Date



Product data sheet

Product description

Luminaire made of aluminium alloy,
aluminium and stainless steel
BEGA Unidure® coating technology
Matt safety glass
Silicone gasket
2 mounting holes \varnothing 4.5 mm
Distance apart 130 mm
1 cable entry for mains supply cable
up to \varnothing 10,5 mm
Connection terminal 2.5²
Earth conductor connection
BEGA Ultimate Driver®
LED power supply unit
220-240 V \sim 0/50-60 Hz
DC 176-280 V
BEGA Thermal Control®
Temporary thermal regulation to protect
temperature-sensitive components without
switching off the luminaire
Safety class I
Protection class IP 65
Dust-tight and protection against water jets
Impact strength IK05
Protection against mechanical
impacts < 0.7 joule
 – Safety mark
 – Conformity mark
Weight: 0.6 kg
This product contains light sources of energy
efficiency class(es) B, C

Application

Wall luminaire for orientating lighting tasks.

Dark Sky

The light of this luminaire is directed evenly
and highly efficiently onto the surface to be
illuminated. No light is emitted into the upper
half-space of the luminaire.

Lamp

Module connected wattage	1.9 W
Luminaire connected wattage	2.9 W
Rated temperature	$t_a = 25^\circ\text{C}$
Ambient temperature	$t_{a\text{max}} = 60^\circ\text{C}$

22 280 K3

Module designation	LED-0645/830
Colour temperature	3000 K
Colour rendering index	CRI > 80
Module luminous flux	375 lm
Luminaire luminous flux	177 lm
Luminaire luminous efficiency	61 lm/W

22 280 K4

Module designation	LED-0645/840
Colour temperature	4000 K
Colour rendering index	CRI > 80
Module luminous flux	390 lm
Luminaire luminous flux	183 lm
Luminaire luminous efficiency	63,1 lm/W

Service life · Ambient temperature

Rated temperature $t_a = 25^\circ\text{C}$	
LED psu:	> 50,000 h
LED module:	> 200,000 h (L80B50) 100,000 h (L90B50)

Ambient temperature max. $t_a = 60^\circ\text{C}$ (100 %)

LED psu:	50,000 h
LED module:	> 200,000 h (L80B50) 100,000 h (L90B50)

Lighting technology

Luminaire data for the DIALux lighting design
program for outdoor lighting, street lighting
and indoor lighting, as well as luminaire data in
EULUMDAT and IES format are available on the
BEGA website at www.bega.com.

Inrush current

Inrush current: 3.5 A / 25 μs
Maximum number of luminaires of this
type per miniature circuit breaker:
B 10A: 50 luminaires
B 16A: 50 luminaires
C 10A: 80 luminaires
C 16A: 80 luminaires

Ratio of luminous flux

Luminous flux upper half-space	0 %
Luminous flux lower half-space	100 %

BUG rating according to IES TM-15-07:

0–0–0

CEN Flux Code according to EN 13032-2:
62–92–99–100–100

Article No. 22 280

LED colour temperature optionally 3000K
or 4000K
3000 K – Article number + **K3**
4000 K – Article number + **K4**

Colour graphite or silver
graphite – article number
silver – article number + **A**

Light distribution

