

Sensor-switched LED indoor light

# RS 20 S

EAN 4007841 079734

Article number 079734



LED

3000 K



indoor light



high frequency  
sensor 360°



mounting height max.  
4 m



0 1 - 8 m



2 - 2000 lux



Light source not  
exchangeable



Control gear not  
exchangeable



IP44

30 years (0 4,5h /  
day)

3000K warm-white

## Function description

## Technical specifications

|                         |  |
|-------------------------|--|
| Dimensions (Ø x H)      | 280 x 110 mm   |
| With lamp               | Yes, STEINEL LED system  |
| With motion detector    | Yes  |
| Manufacturer's Warranty | 3 years  |
| Settings via            | Potentiometers   |
| With remote control     | No   |
| PU1, EAN                | 4007841079734  |
| Application, place      | Indoors  |
| Application, room       | corridor / aisle, changing room,<br>function room / ancillary room,<br>kitchenette, stairwell, WC /<br>washroom, outdoors, Indoors |
| Colour                  | white  |
| Installation site       | wall, ceiling  |
| Installation            | Wall, Ceiling, Surface wiring  |
| Impact resistance       | IK03   |
| IP-rating               | IP44   |
| Protection class        | II   |
| Ambient temperature     | 10 – 40 °C   |
| Housing material        | Plastic  |

|                                 |                            |
|---------------------------------|----------------------------|
| Reach, tangential               | Ø 8 m (50 m <sup>2</sup> ) |
| Photo-cell controller           | Yes                        |
| Transmitter power               | < 1 mW                     |
| Luminous flux total product     | 942 lm                     |
| Colour temperature              | 3000 K                     |
| Colour variation LED            | SDCM3                      |
| Lamp                            | LED cannot be replaced     |
| LED cooling system              | Passive Thermo Control     |
| Soft light start                | Yes                        |
| Continuous light                | selectable, 4h             |
| Twilight setting                | 2 – 2000 lx                |
| Time setting                    | 5 s – 15 Min.              |
| Basic light level function      | Yes                        |
| Basic light level function time | 10/30 min, all night       |
| Twilight setting TEACH          | No                         |
| Interconnection                 | Yes                        |
| Type of interconnection         | Master/master              |
| Interconnection via             | Cable                      |
| Fuse protection B10             | 54                         |

<https://www.steinel.de>

Subject to technical modifications

09.2023 Page 1 from 3

# RS 20 S

EAN 4007841 079734  
Article number 079734

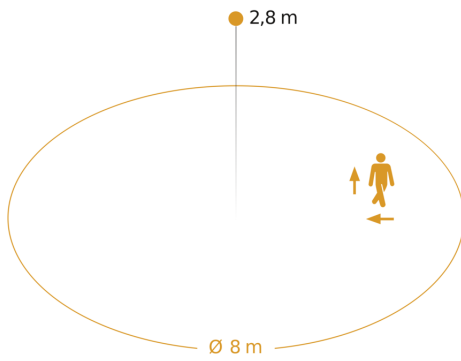
## Technical specifications

|   |   |  |       |
|---|---|--|-------|
| Cover material                                | Plastic, opal                           | Fuse protection B16                    | 87    |
| Mains power supply                            | 220 – 240 V / 50 – 60 Hz                | Fuse protection C10                    | 90    |
| Power consumption                             | 0,38 W                                  | Fuse protection C16                    | 145   |
| Mounting height max.                          | 4,00 m                                  | Basic light level function in per cent | 10 %  |
| HF-system                                     | 5,8 GHz                                 | Output                                 | 9,4 W |
| Detection                                     | also through glass, wood and stud walls | Angle of aperture                      | 160 ° |
| Capability of masking out individual segments | Yes                                     | IP-rating, ceiling                     | IP44  |
| Electronic scalability                        | Yes                                     |  |       |
| Mechanical scalability                        | No                                      |  |       |
| Reach, radial                                 | Ø 8 m (50 m <sup>2</sup> )              |  |       |

# RS 20 S

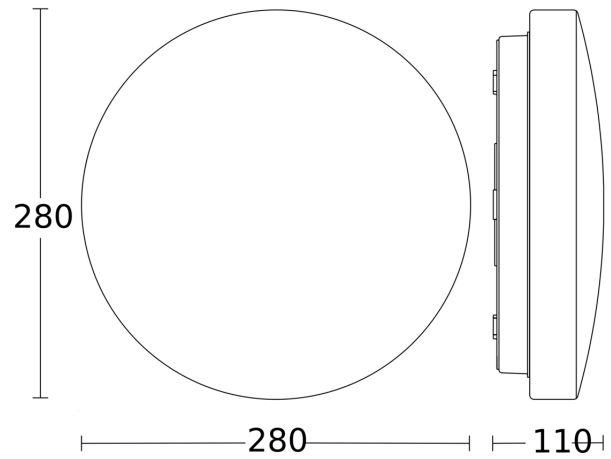
EAN 4007841 079734  
Article number 079734

## Detection Zone

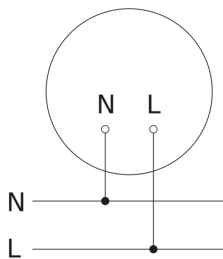


Possible mounting height: 2,00 m - 4,00 m  
Orange: radial and tangential

## Dimension Drawing



## Slave/wireless master interconnection circuit diagram



## Master/master interconnection circuit diagram

