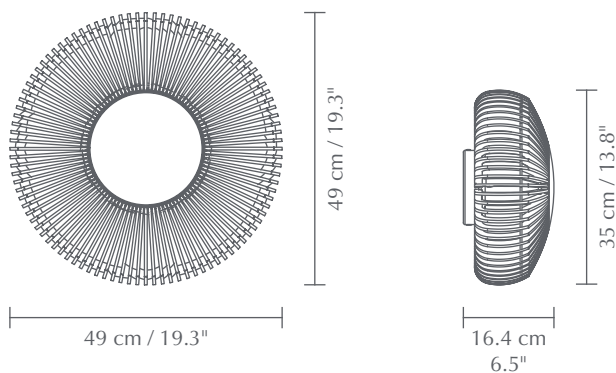


CLAVA UP WOOD

Designed by Søren Ravn Christensen



Wall and ceiling lamp
Compatible with E26 / E27



TESTS & CERTIFICATIONS
CE (for indoor use)



DIMENSIONS
Ø: 49 cm / 19.3" Ø: 35 cm / 13.8"
H: 16.6 cm / 6.5" H: 16.6 cm / 6.5"



MATERIAL
Oak, ash and laminated veneer



WEIGHT
Clava Up Wood large: 2.2 kg / 4.9 lb
Clava Up Wood medium: 1.4 kg / 3.1 lb



WEIGHT INCL. PACKAGING
Clava Up Wood large: 4.1 kg / 9 lb
Clava Up Wood medium: 2.4 kg / 5.3 lb



LIGHT SOURCE
E26 / E27 - max 15W LED G40 (not included)



PACKAGING DIMENSIONS (L x W x H)
Large: 53.4 x 53.4 x 19 cm / 21 x 21 x 7.5"
Medium: 40.4 x 40.4 x 18.8 cm / 15.9 x 15.9 x 7.4"



ASSEMBLY TIME
5 min - video guide at umage.com



MEDIA KIT
Photos and press material
Download at umage.presscloud.com



ORDERING INFORMATION

Clava Up Wood large oak ash	#2358
Clava Up Wood large dark oak ash	#2359
Clava Up Wood large black oak ash	#2369
Clava Up Wood medium oak ash	#2381
Clava Up Wood medium dark oak ash	#2382
Clava Up Wood medium black oak ash	#2383

Colour variations



oak



dark oak



black oak

RECOMMENDED ACCS.

Ping Pong Idea

#4171


UMAGE

CLAVA UP WOOD

Designed by Søren Ravn Christensen



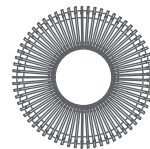
SPRUCE UP THE WALLS WITH RAYS OF LIGHT

UMAGE is extending the sculptural Clava collection with a new variant for the wall, called Clava Up wood. The recognizable shape made from laser-cut wood lamellae is designed to illuminate home with a playful flash of light on the walls in the surrounding space.

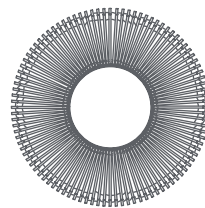
Clava Up wood is available in oak, dark oak and black oak in two different sizes.

The wall lamp will become the perfect add-on to a beautiful gallery wall or hanging side by side in a long hallway.

Find more info on our website umage.com



35 cm / 13.8"



49 cm / 19.3"



168 cm / 5'5"

