

BEGA**24 128**

Ceiling and wall luminaire



Project · Reference number

Date

Product data sheet

Application

Large-area luminaire with high light output for installation on ceilings and walls.
An optical system with a layered structure of micro-structured and light-directing layers precisely matched to our LED modules ensures glare-free light and high visual comfort.

Product description

Luminaire made of aluminium alloy, aluminium and stainless steel
BEGA Unidure® coating technology
Safety glass
Silicone gasket
4 fixing holes \varnothing 7 mm
2 cable entries for through-wiring of mains supply cable \varnothing 7-10,5 mm, max. 5 G 1.5²
LED power supply unit
220-240 V \sim 0/50-60 Hz
DC 176-276 V
During DC operation the LED power is reduced to 15 %
DALI-controllable
Number of DALI addresses: 1
Basic insulation is provided between the mains and control cables
BEGA Thermal Control®
Temporary thermal regulation to protect temperature-sensitive components without switching off the luminaire
Safety class I
Protection class IP 65
Dust-tight and protection against water jets
Impact strength IK07
Protection against mechanical impacts < 2 joule
 – Safety mark
 – Conformity mark
Weight: 18,0 kg
This product contains light sources of energy efficiency class(es) C, D

Lamp

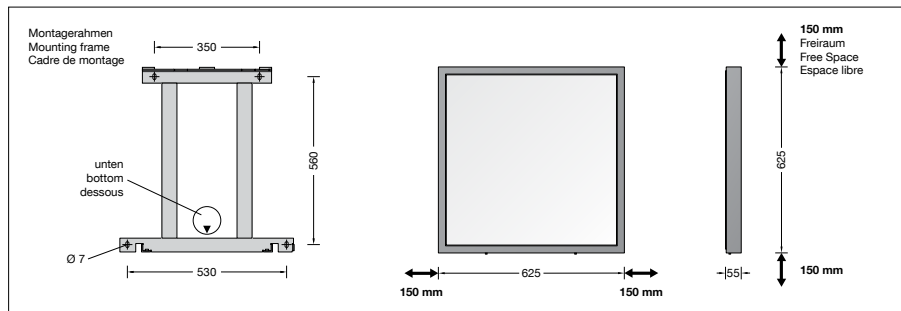
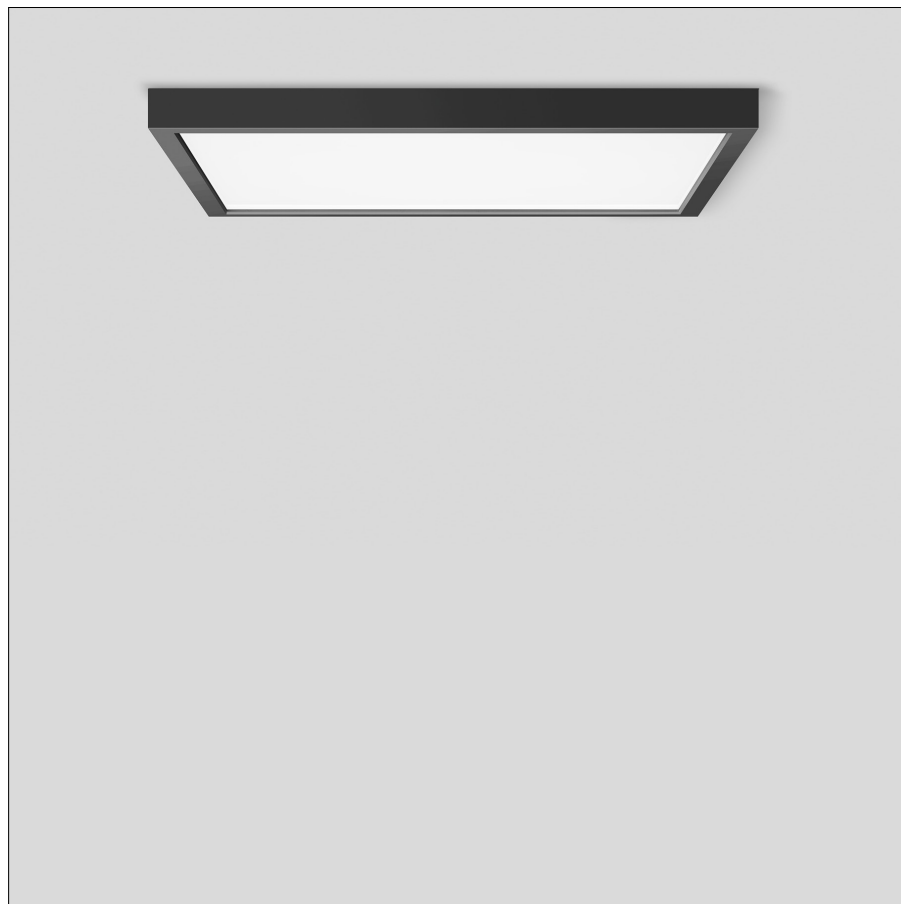
Module connected wattage 53.8 W
Luminaire connected wattage 60 W
Rated temperature $t_a = 25$ °C
Ambient temperature $t_{a \max} = 60$ °C

24 128 K3

Module designation LED-1024/830
Colour temperature 3000 K
Colour rendering index CRI > 80
Module luminous flux 9220 lm
Luminaire luminous flux 5850 lm
Luminaire luminous efficiency 97,5 lm/W

24 128 K4

Module designation LED-1024/840
Colour temperature 4000 K
Colour rendering index CRI > 80
Module luminous flux 9550 lm
Luminaire luminous flux 6060 lm
Luminaire luminous efficiency 101 lm/W



Service life · Ambient temperature

Rated temperature $t_a = 25$ °C
LED psu: > 50,000 h
LED module: 155,000 h (L80 B50)
Ambient temperature max. $t_a = 60$ °C (100 %)
LED psu: 50,000 h
LED module: 100,000 h (L80 B50)

Inrush current

Inrush current: 30 A / 200 μ s
Maximum number of luminaires of this type per miniature circuit breaker:
B 10 A: 8 luminaires
B 16 A: 13 luminaires
C 10 A: 13 luminaires
C 16 A: 21 luminaires

Article No. 24 128

LED colour temperature optionally 3000K or 4000K
3000 K – Article number + **K3**
4000 K – Article number + **K4**
Colour optionally graphite or white
Graphite – Article number
White – Article number + **W**

Lighting technology

Luminaire data for the DIALux lighting design program for outdoor lighting, street lighting and indoor lighting, as well as luminaire data in EULUMDAT and IES format are available on the BEGA website at www.bega.com.

Light distribution

