

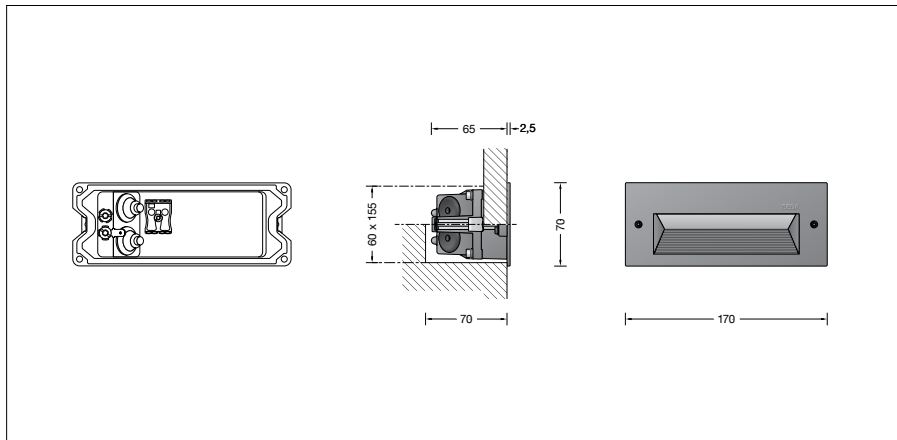
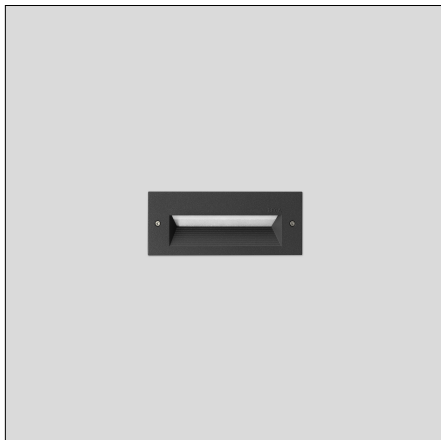
BEGA**33 053**

Recessed luminaire



Project · Reference number

Date



Product data sheet

Application

Recessed luminaire for walls and staircases for flush or surface-mounted installation.
With asymmetrical light distribution for glare-free illumination of surfaces from low mounting height.

Product description

Luminaire made of aluminium alloy, aluminium and stainless steel
BEGA Tricoat® coating technology
Clear safety glass
Silicone gasket
Fixing is achieved by using two adjustable wedge-shaped claws
Required recessed opening 155 x 60 mm
Recessed depth 70 mm
2 cable entries for through-wiring of mains supply cable ø 7-10.5 mm
Connection terminal 2.5²
Earth conductor connection
BEGA Ultimate Driver®
LED power supply unit
220-240 V ~ 0/50-60 Hz
DC 176-264 V
BEGA Thermal Switch®
Temporary thermal shutdown to protect temperature-sensitive components
Safety class I
Protection class IP 65
Dust-tight and protection against water jets
Impact strength IK08
Protection against mechanical impacts < 5 joule
 – Safety mark
 – Conformity mark
Weight: 0.55 kg
This product contains light sources of energy efficiency class(es) C

Lamp

Module connected wattage	4 W
Luminaire connected wattage	5.1 W
Rated temperature	$t_a = 25\text{ °C}$
Ambient temperature	$t_{a\text{ max}} = 40\text{ °C}$
When installed in heat-insulating material	$t_{a\text{ max}} = 35\text{ °C}$

On request we can offer you modifications for environments with higher temperatures as a customized product.

33 053 K3

Module designation	LED-0526/830
Colour temperature	3000 K
Colour rendering index	CRI > 80
Module luminous flux	695 lm
Luminaire luminous flux	277 lm
Luminaire luminous efficiency	54,3 lm/W

33 053 K4

Module designation	LED-0526/840
Colour temperature	4000 K
Colour rendering index	CRI > 80
Module luminous flux	705 lm
Luminaire luminous flux	281 lm
Luminaire luminous efficiency	55,1 lm/W

Service life · Ambient temperature

Rated temperature $t_a = 25\text{ °C}$	
LED psu:	> 50,000h
LED module:	143,000h (L80B50)

Ambient temperature max. $t_a = 40\text{ °C}$ (100 %)	
LED psu:	50,000h
LED module:	58,000h (L80B50) 87,000h (L70B50)

Ratio of luminous flux

Luminous flux upper half-space	2,1 %
Luminous flux lower half-space	97,9 %

BUG rating according to IES TM-15-07:

0-1-0

CEN Flux Code according to EN 13032-2:

13-50-85-98-100-0-3-29-2

Inrush current

Inrush current: 7.8 A / 112 μ s
Maximum number of luminaires of this type per miniature circuit breaker:
B 10A: 38 luminaires
B 16A: 61 luminaires
C 10A: 64 luminaires
C 16A: 102 luminaires

Lighting technology

Luminaire data for the DIALux lighting design program for outdoor lighting, street lighting and indoor lighting, as well as luminaire data in EULUMDAT and IES format are available on the BEGA website at www.bega.com.

BEGA Tricoat®

BEGA Tricoat® is a protected trademark for a technology that we use in order to achieve optimal corrosion resistance. These carefully coordinated inorganic and organic coating processes applied to extremely resistant alloys ensure the best possible surface protection and outstanding corrosion resistance.

Article No. 33 053

LED colour temperature optionally 3000K or 4000K

3000 K – Article number + **K3**

4000 K – Article number + **K4**

Colour graphite or silver
graphite – article number
silver – article number + **A**

Accessories

10 424 Installation housing

13 519 Installation housing for installation in insulated façades (EWIS)

10 024 Plaster frame

13 503 Plaster frame flush

A separate instructions for use can be provided upon request.

Light distribution

