

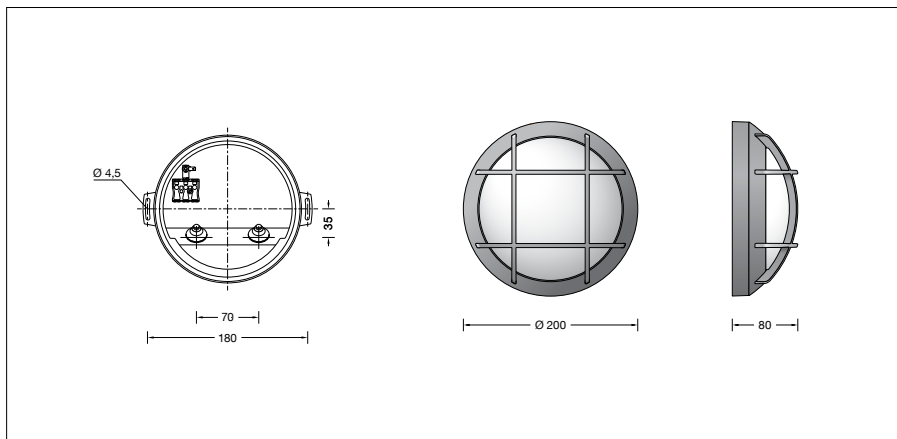
BEGA**24 167**

Ceiling and wall luminaire



Project · Reference number

Date



Product data sheet

Application

Unshielded ceiling and wall luminaire with high protection class.

A luminaire made of aluminium alloy and crystal glass.

Product description

Luminaire made of aluminium alloy, aluminium and stainless steel

BEGA Unidure® coating technology

Crystal glass, white inside

Silicone gasket

2 mounting holes \varnothing 4.5 mm

Distance apart 180 mm

2 cable entries for through-wiring of mains

supply cable \varnothing 7-12 mm

Connection terminal 2.5[□]

Earth conductor connection

LED power supply unit

220-240 V \sim 0/50-60 Hz

BEGA Thermal Control®

Temporary thermal regulation to protect temperature-sensitive components without switching off the luminaire

Safety class I

Ballproof – The testing of ball impact safety was carried out exclusively with handballs in accordance with DIN 18032-3: 2018-11.

Protection class IP 65

Dust-tight and protection against water jets

Impact strength IK07

Protection against mechanical

impacts < 2 joule

– Safety mark

– Conformity mark

Weight: 1.5 kg

This product contains light sources of energy efficiency class(es) C, D

Lamp

Module connected wattage

7 W

Luminaire connected wattage

8.1 W

Rated temperature

 $t_a = 25\text{ °C}$

Ambient temperature

 $t_{a\text{ max}} = 55\text{ °C}$ **24 167 K3**

Module designation

LED-0954/830

Colour temperature

3000 K

Colour rendering index

CRI > 80

Module luminous flux

1160 lm

Luminaire luminous flux

637 lm

Luminaire luminous efficiency

78,6 lm/W

24 167 K4

Module designation

LED-0954/840

Colour temperature

4000 K

Colour rendering index

CRI > 80

Module luminous flux

1220 lm

Luminaire luminous flux

670 lm

Luminaire luminous efficiency

82,7 lm/W

Service life · Ambient temperature

Rated temperature $t_a = 25\text{ °C}$

LED psu: > 50,000 h

LED module: 170,000 h (L80 B50)

Ambient temperature max. $t_a = 55\text{ °C}$ (100 %)

LED psu: 50,000 h

LED module: 115,000 h (L80 B50)

Lighting technology

Luminaire data for the DIALux lighting design program for outdoor lighting, street lighting and indoor lighting, as well as luminaire data in EULUMDAT and IES format are available on the BEGA website at www.bega.com.

Ratio of luminous flux

Luminous flux upper half-space

4,3 %

Luminous flux lower half-space

95,7 %

BUG rating according to IES TM-15-07:

0-1-1

CEN Flux Code according to EN 13032-2:

45-75-92-96-100-0-1-22-4

Inrush current

Inrush current: 5 A / 40 μ s

Maximum number of luminaires of this type per miniature circuit breaker:

B 10A: 50 luminaires

B 16A: 50 luminaires

C 10A: 80 luminaires

C 16A: 80 luminaires

Article No. 24 167

LED colour temperature optionally 3000 K or 4000 K

3000 K – Article number + **K3**

4000 K – Article number + **K4**

Colour graphite or silver

graphite – article number

silver – article number + **A**

Light distribution