

GLASHÜTTE LIMBURG**Product data sheet****Pendant luminaire****56 576.3**

Project · Reference number

Date

Application

Pendant luminaire for free-radiating and uniform light made of hand-blown opal glass, satin matt. Metal luminaire housing.
The used LED technique offers durability and optimal light output with low power consumption at the same time.

Product description

Metal luminaire housing,
finish polished aluminium
Hand-blown opal glass,
satin matt, with screw neck
Mounting plate with 2 fixing
holes \varnothing 4.5 mm · 42 mm spacing
Black flex suspension $2 \times 0,5$ \square
Overall length of luminaire ~1500 mm
Connecting terminals 2.5 \square
Earth conductor connection
LED power supply unit inside canopy
220-240 V \sim 0/50-60 Hz
Safety class I
CE – Conformity mark
Weight: 1.5 kg

Lamp

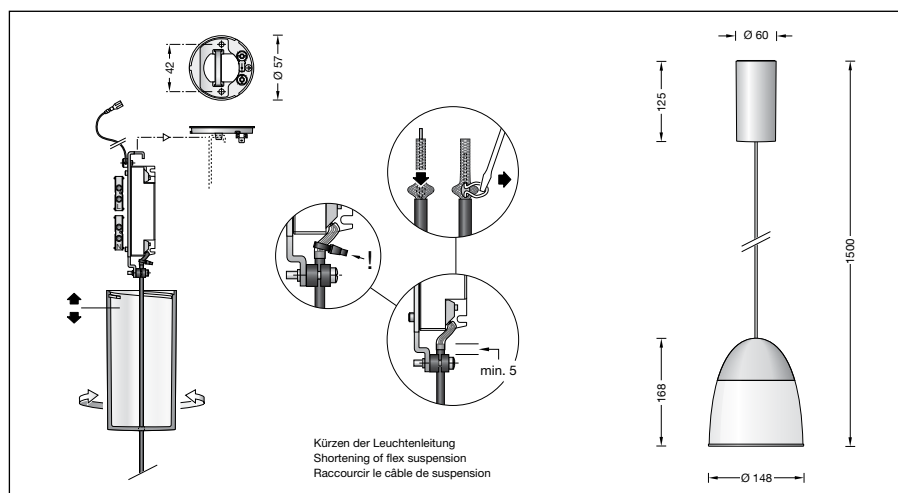
Module connected wattage	8.9 W
Luminaire connected wattage	10.8 W
Rated temperature	$t_a = 25$ °C
Ambient temperature	$t_{a \max} = 45$ °C

56 576.3

Module designation	LED-0505/930
Colour temperature	3000 K
Colour rendering index	$R_a > 90$
Module luminous flux	1285 lm
Luminaire luminous flux	955 lm
Luminaire luminous efficiency	88,4 lm/W

56 576.3 K4

Module designation	LED-0505/940
Colour temperature	4000 K
Colour rendering index	$R_a > 90$
Module luminous flux	1360 lm
Luminaire luminous flux	1010 lm
Luminaire luminous efficiency	93,5 lm/W

**Lifetime of the LED**

Ambient temperature $t_a = 15$ °C
– at 50,000h: L90B10
– at > 500,000h: L70B50

Ambient temperature $t_a = 25$ °C
– at 50,000h: L90B10
– at > 500,000h: L70B50

max. ambient temperature $t_a = 45$ °C
– at 50,000h: L80B10
– at 213,000h: L70B50

Article No. 56 576.3

Colour temperature 3000 K.
Also available with 4000 K on request.
3000 K – article number
4000 K – article number + **K4**

Finish options

- Enamel, white
- Stainless steel
- Polished aluminium

Code number **.1**
Code number **.2**
Code number **.3**