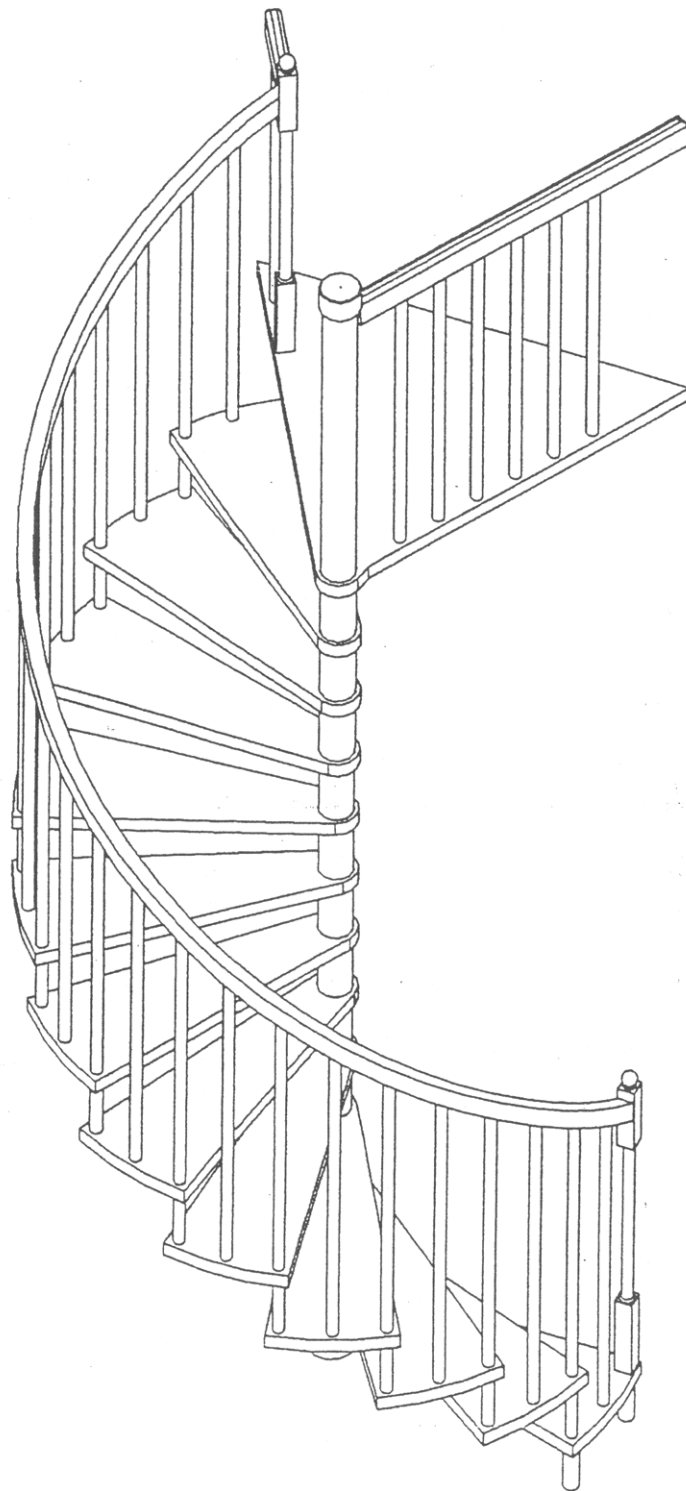
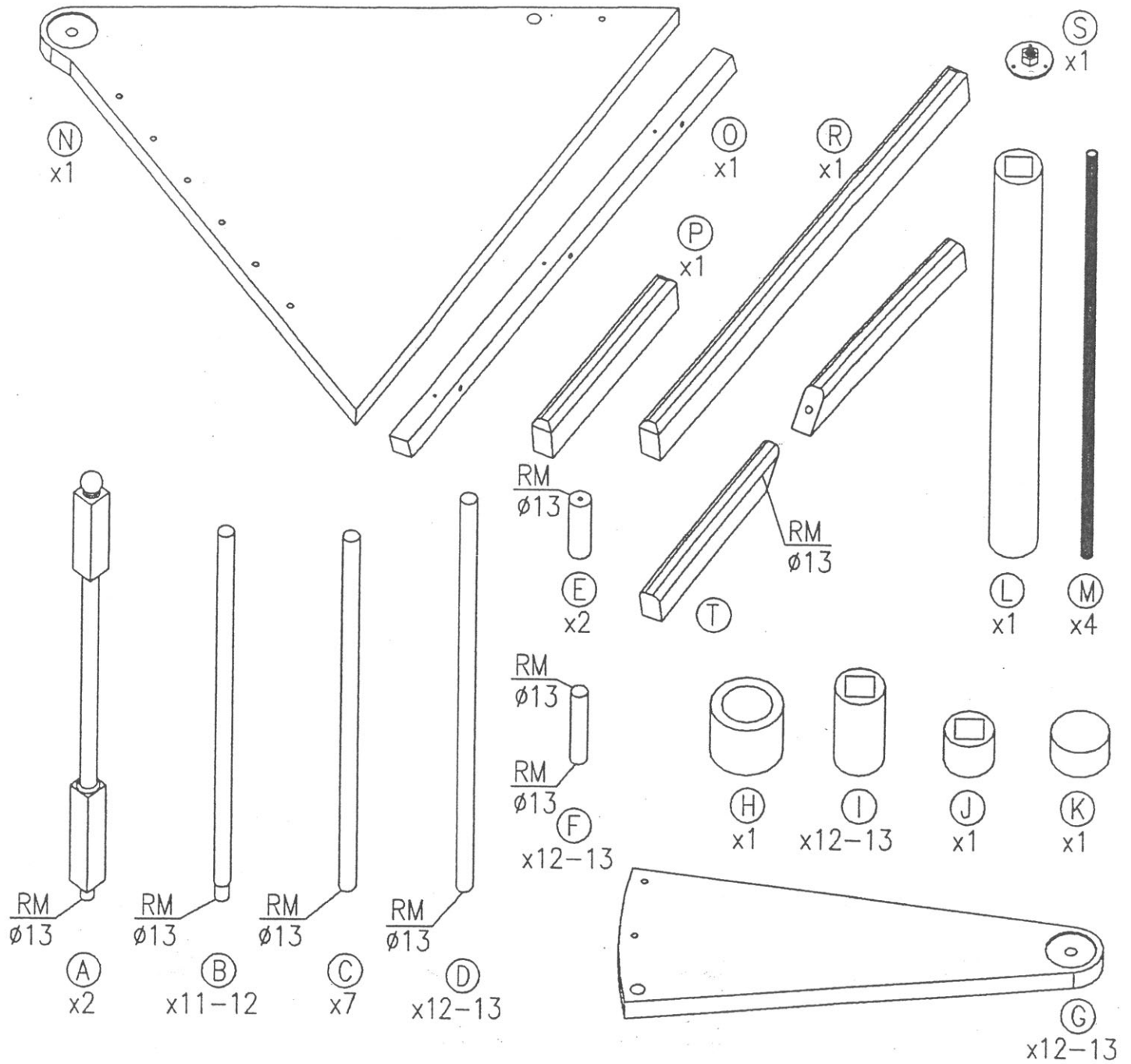


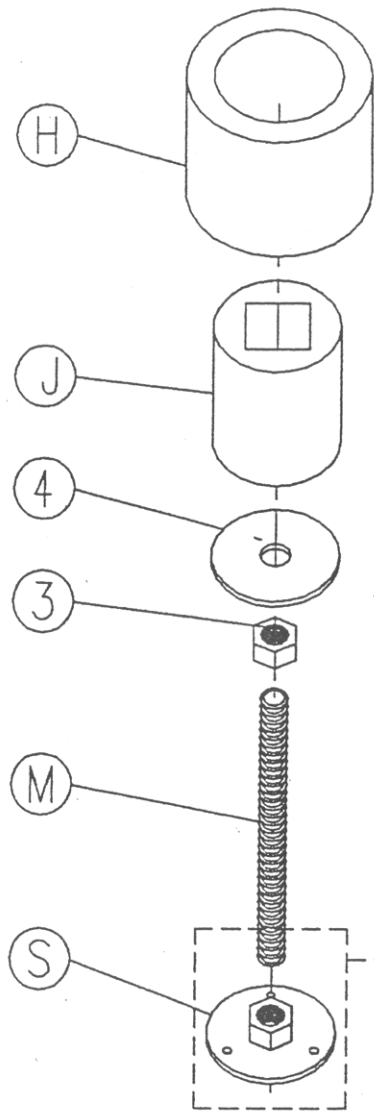
Montageanleitung

Lugano

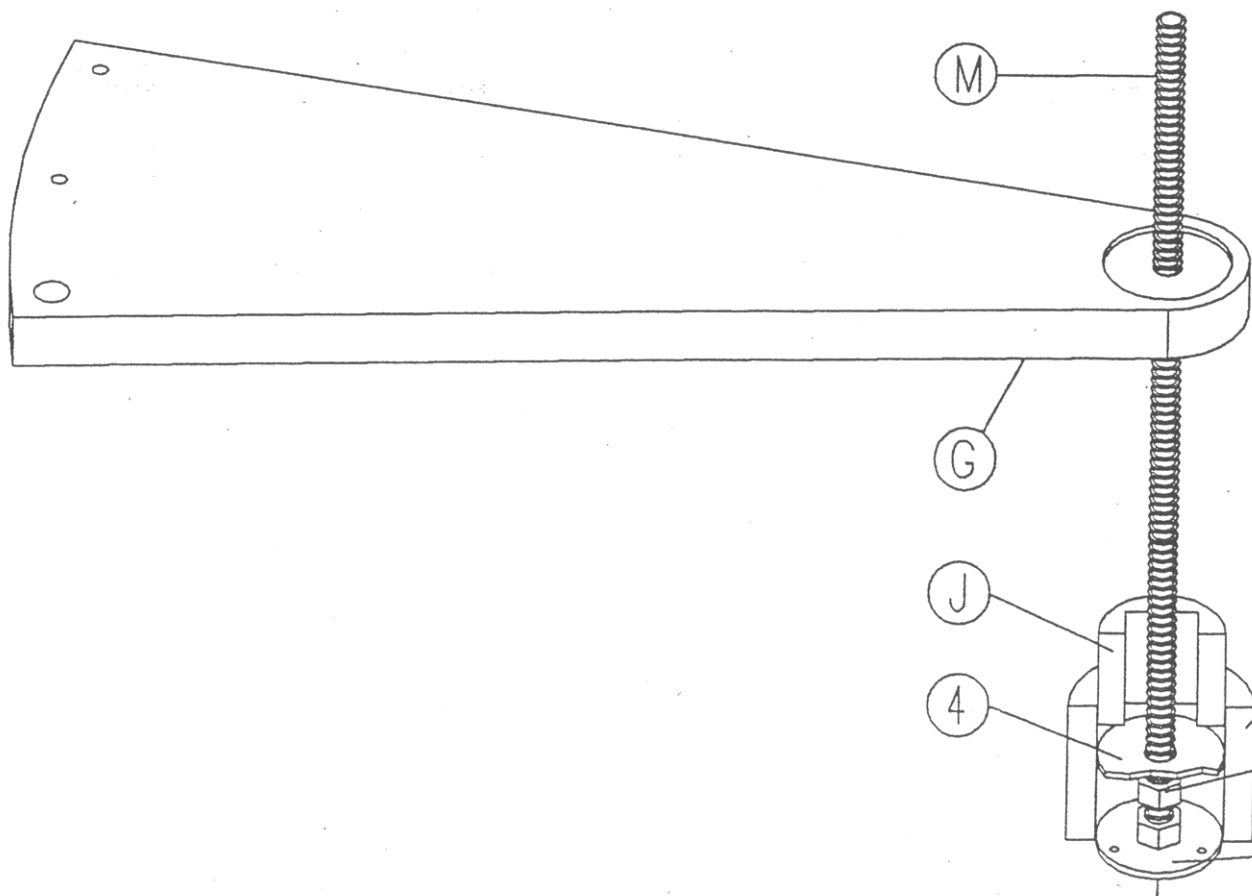
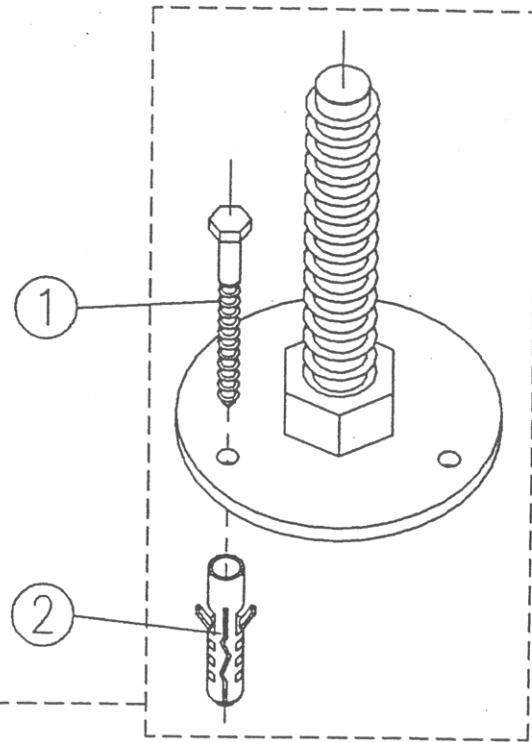




① x4	② x6	③ x9	④ x1	⑤ x15	⑥ x3	⑦ x4	⑧ x31
⑨ x1	⑩ x1	⑪ x1	⑫ x7	⑬ x7	⑭ x4	⑮ x1	⑯ x3
⑰ x1	⑱ x2	⑲ x2	⑳ x4	㉑ x2	㉒ x1	㉓ x1	



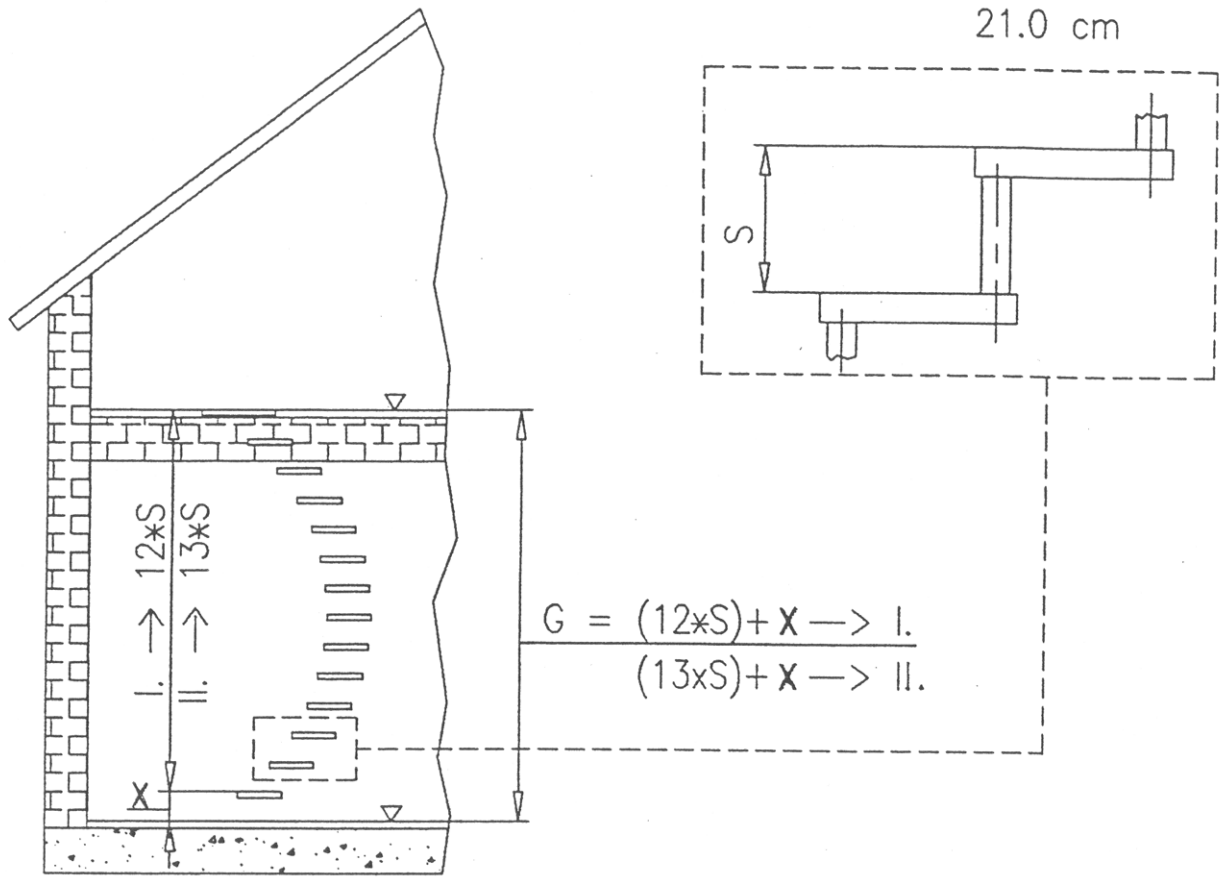
1



2

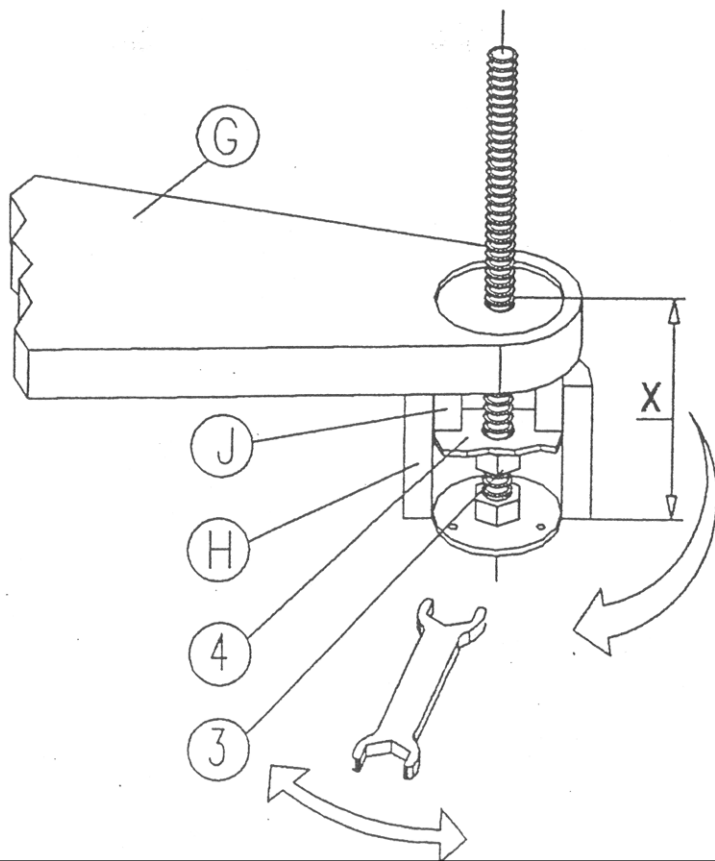
3a

S = 20.0 cm
20.5 cm
21.0 cm

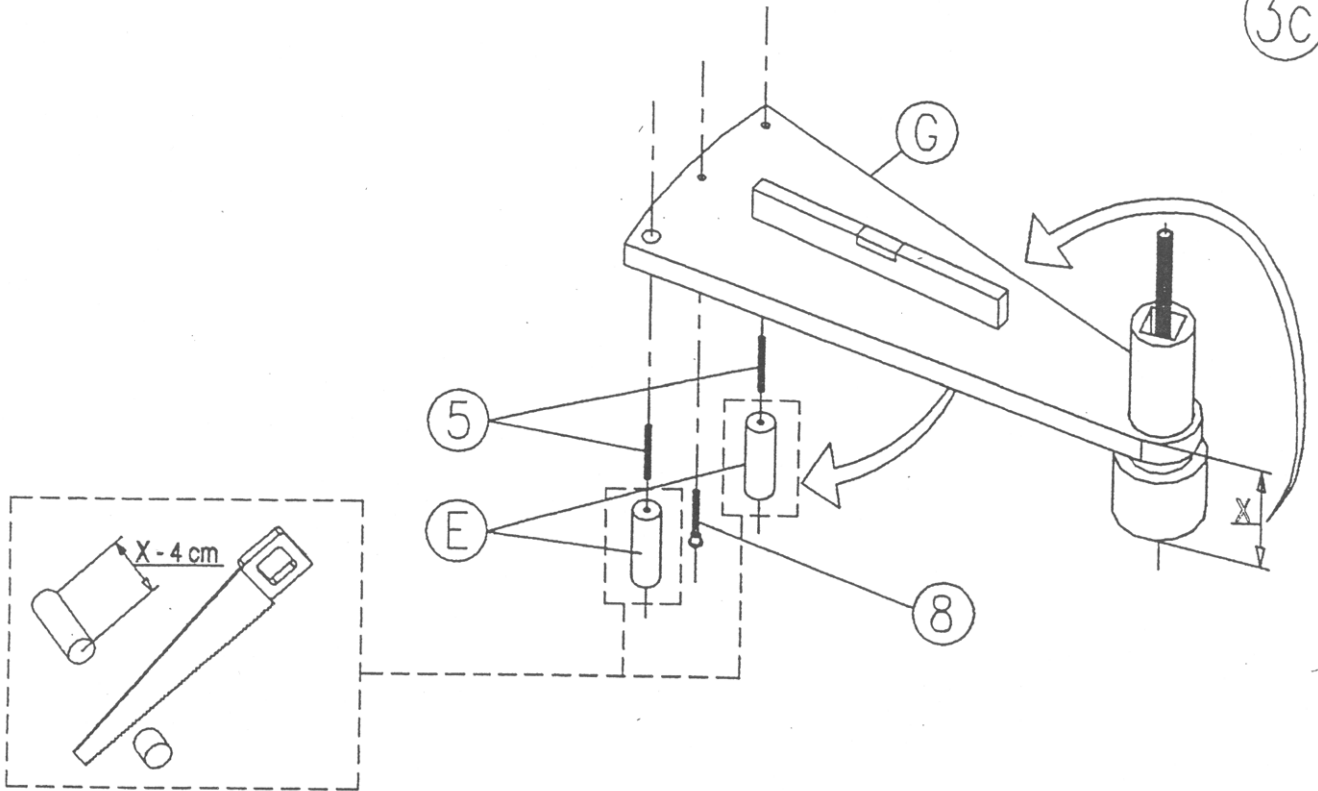


3b

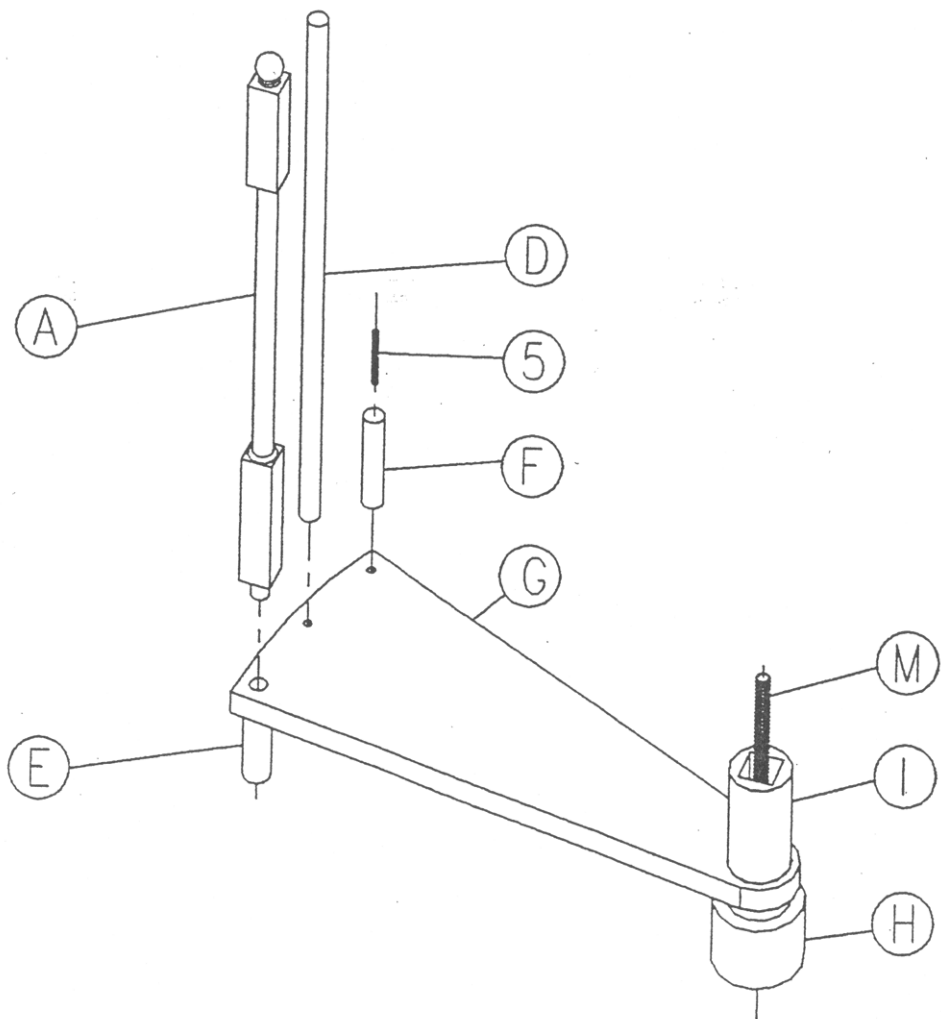
I. => $X = G - 12 \times S$
II. => $X = G - 13 \times S$



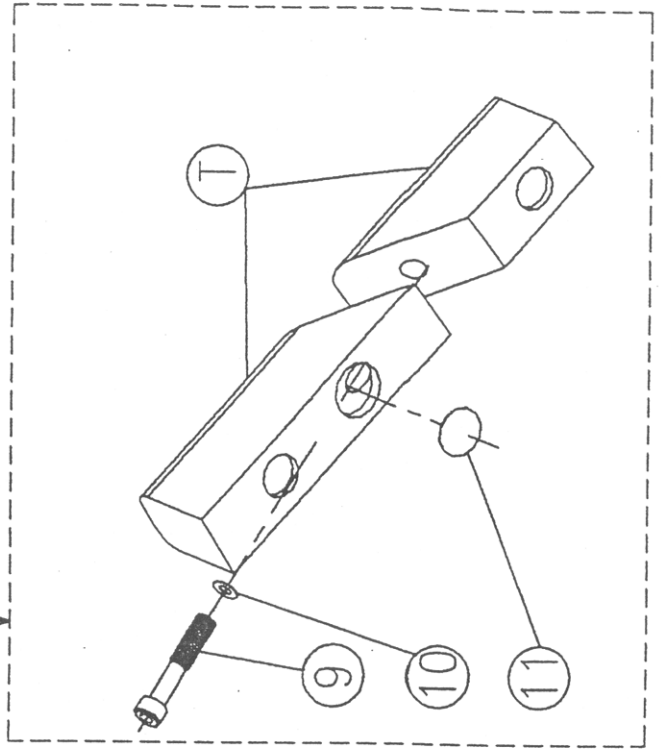
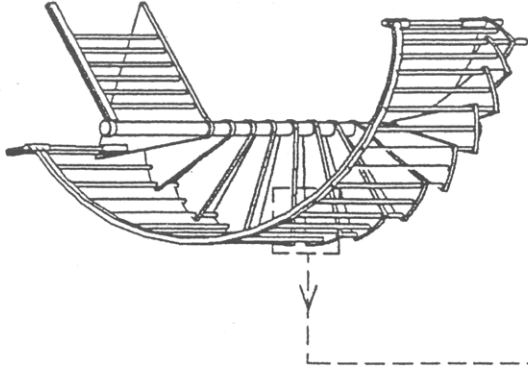
3c



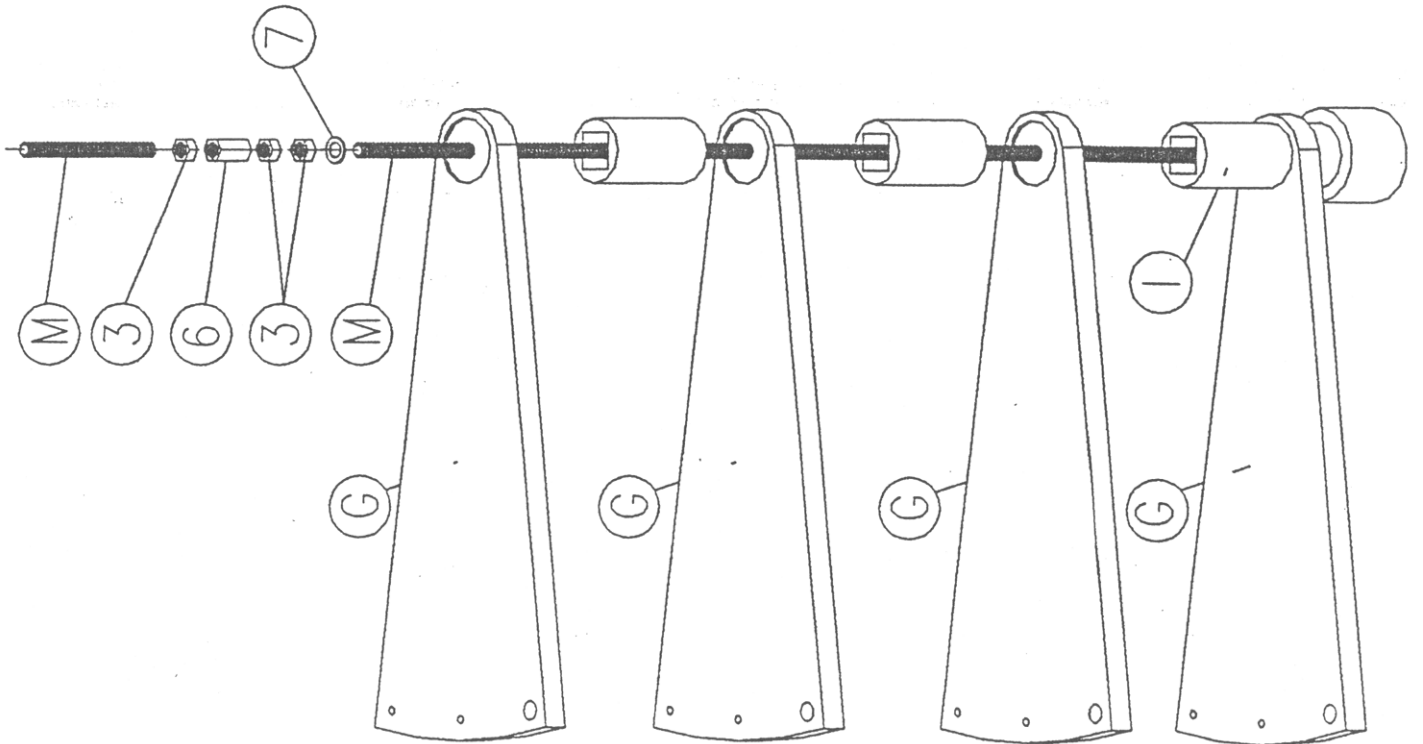
3d



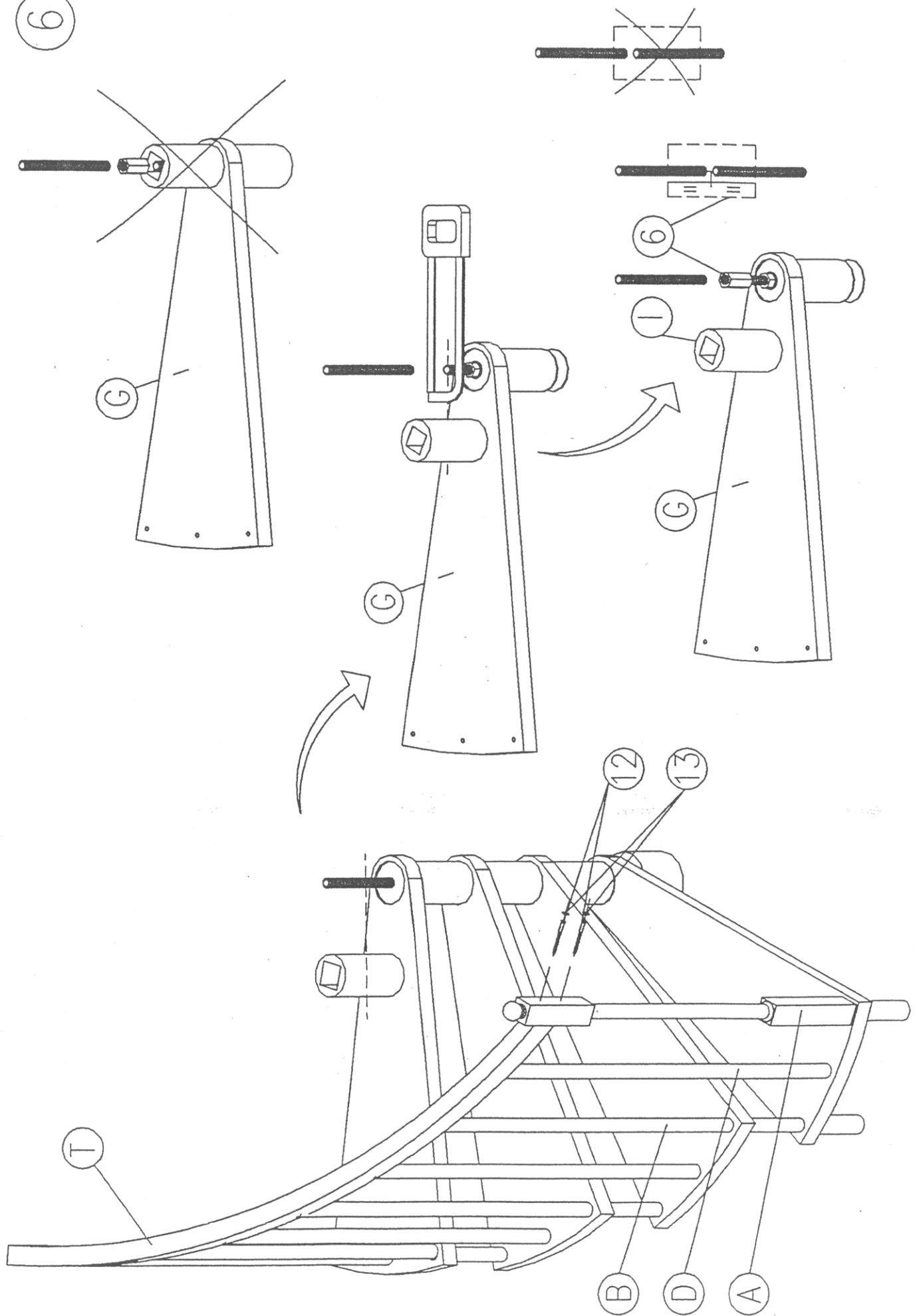
5

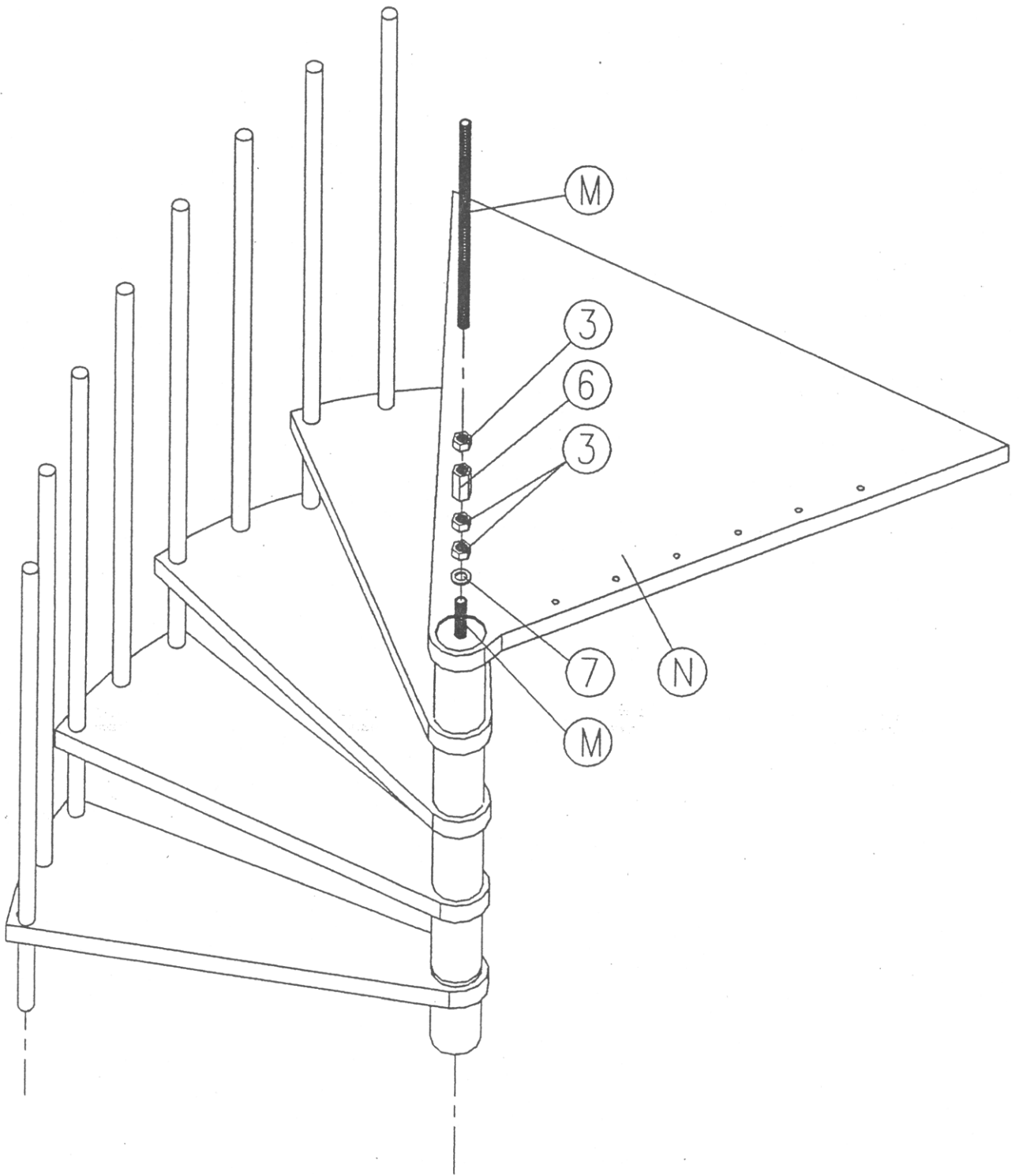


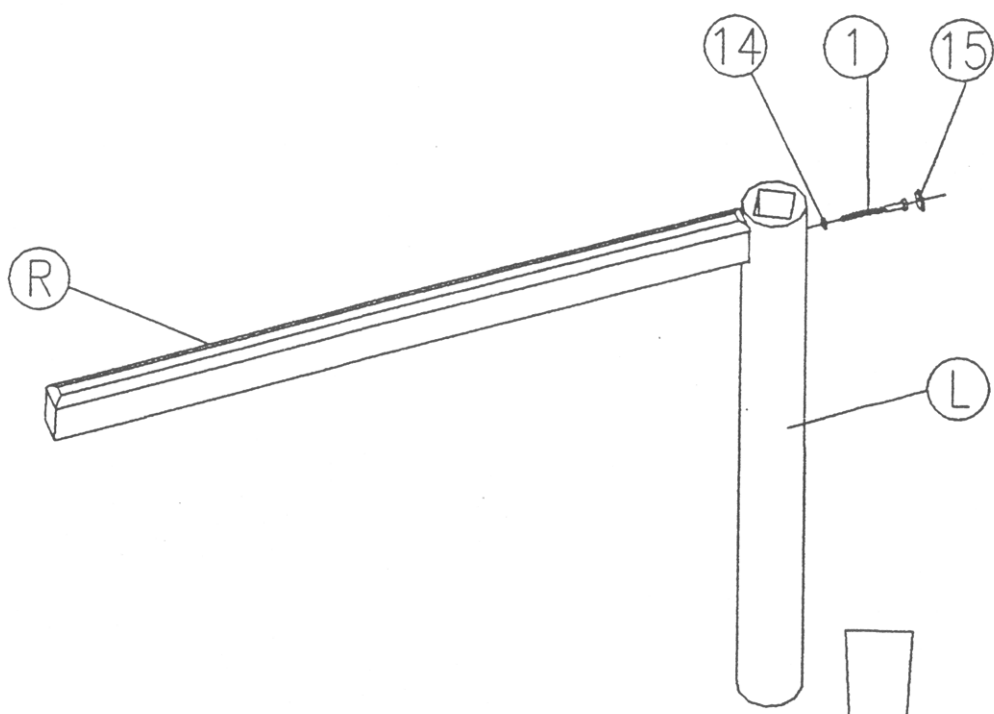
4



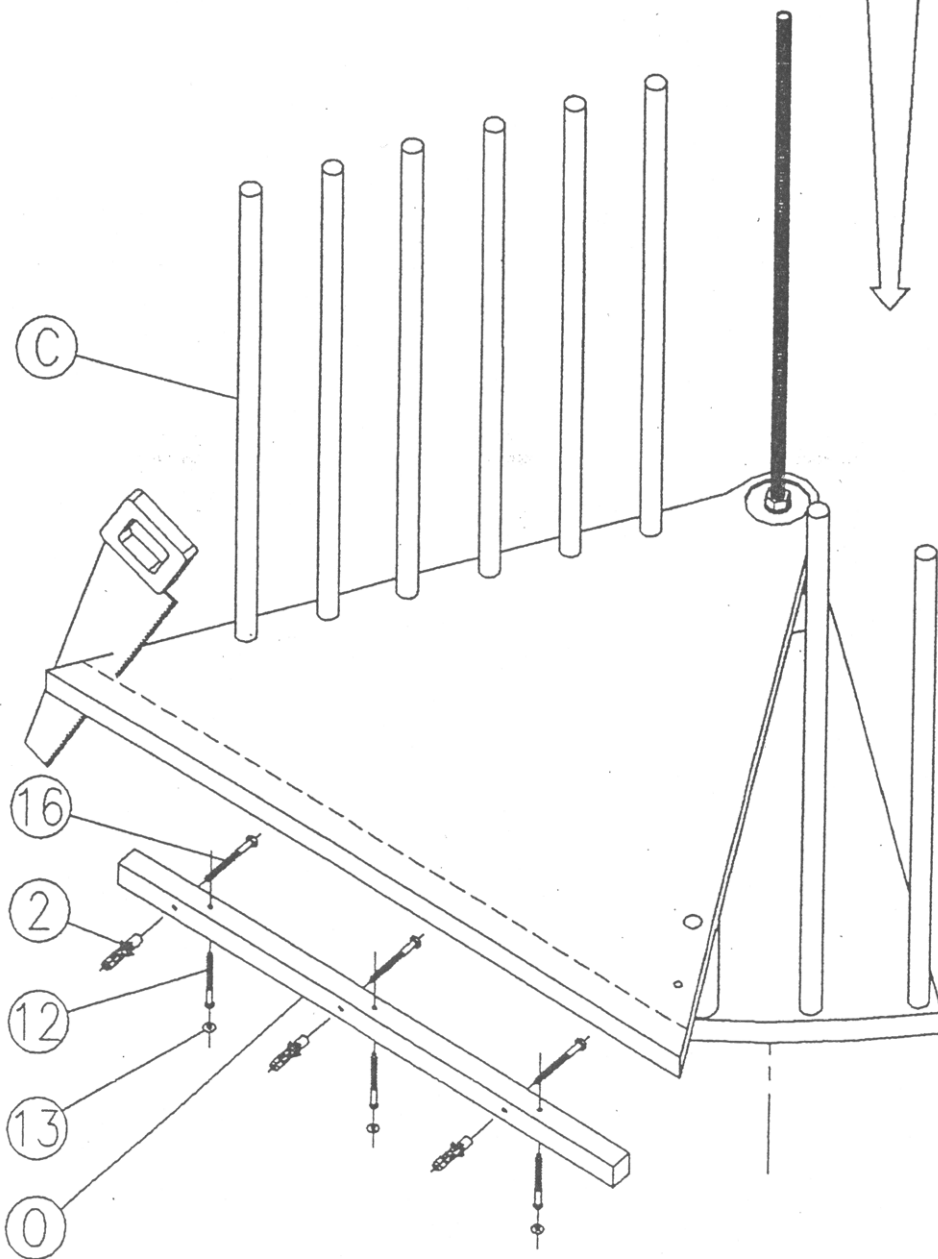
6







8a



8b

9

